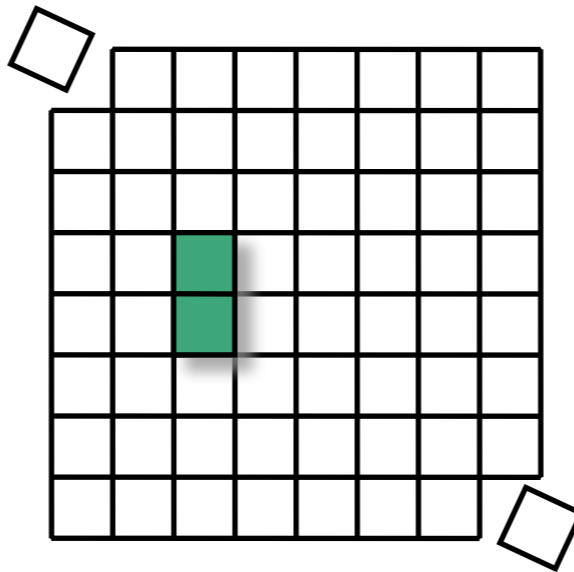


Object

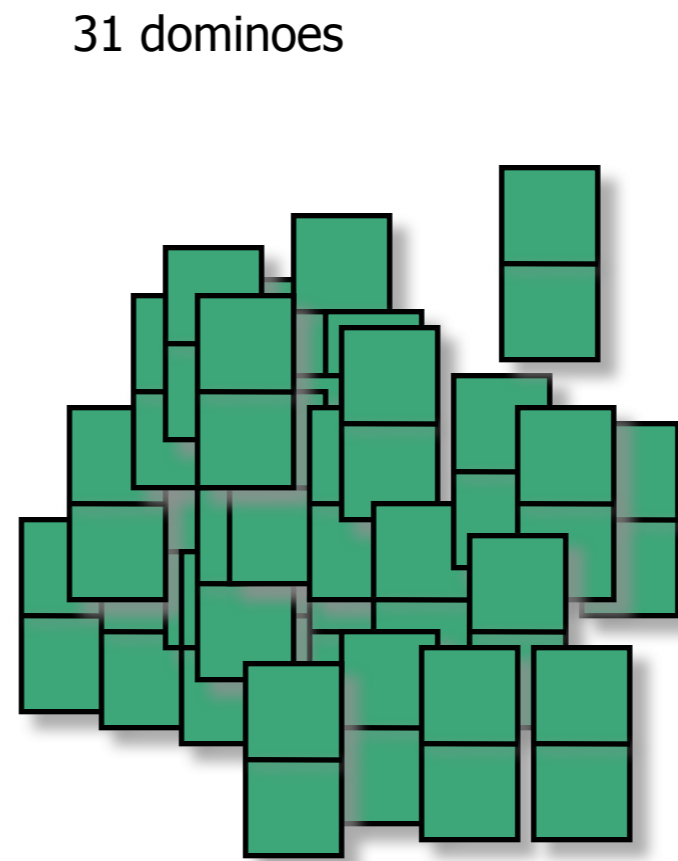
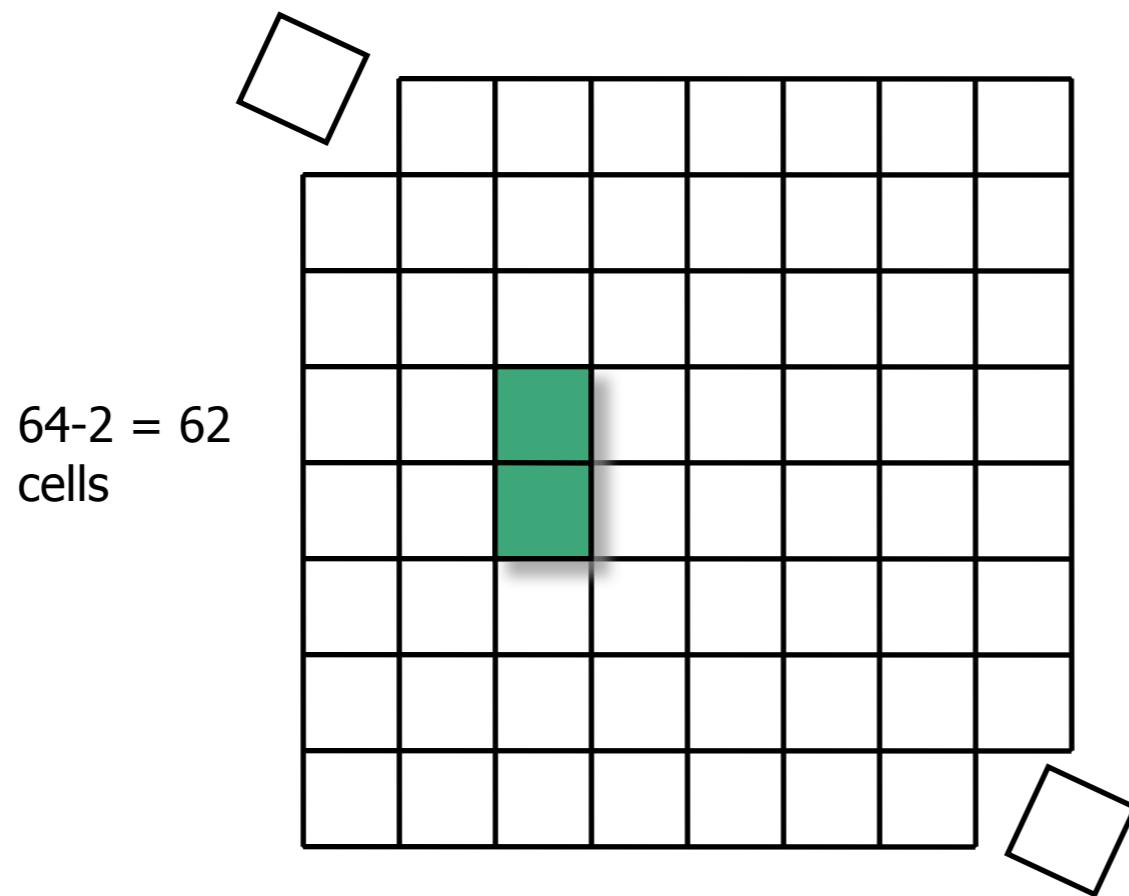


We introduce two relevant kinds of invariants for
Petri nets

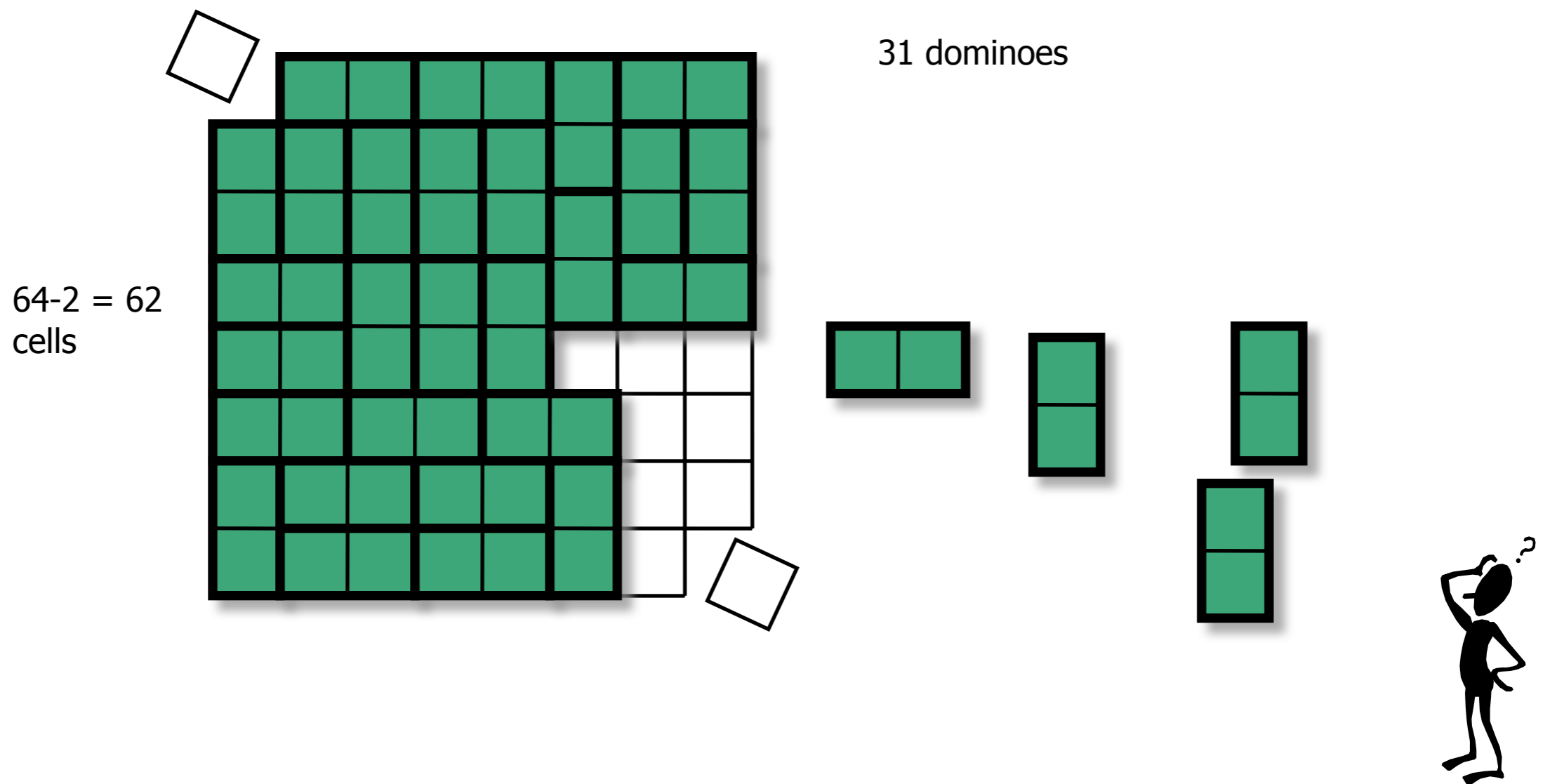
Free Choice Nets (book, optional reading)

<https://www7.in.tum.de/~esparza/bookfc.html>

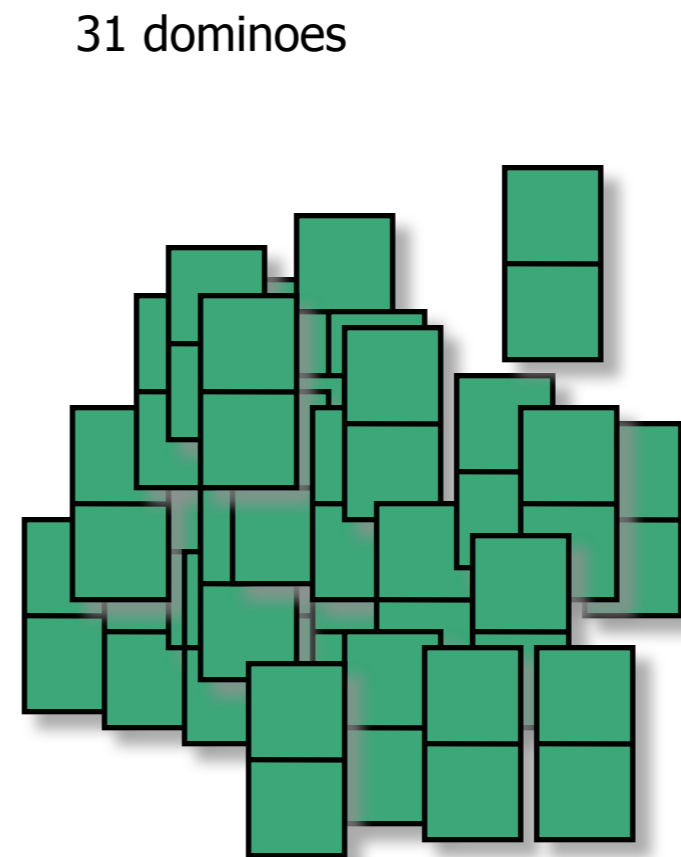
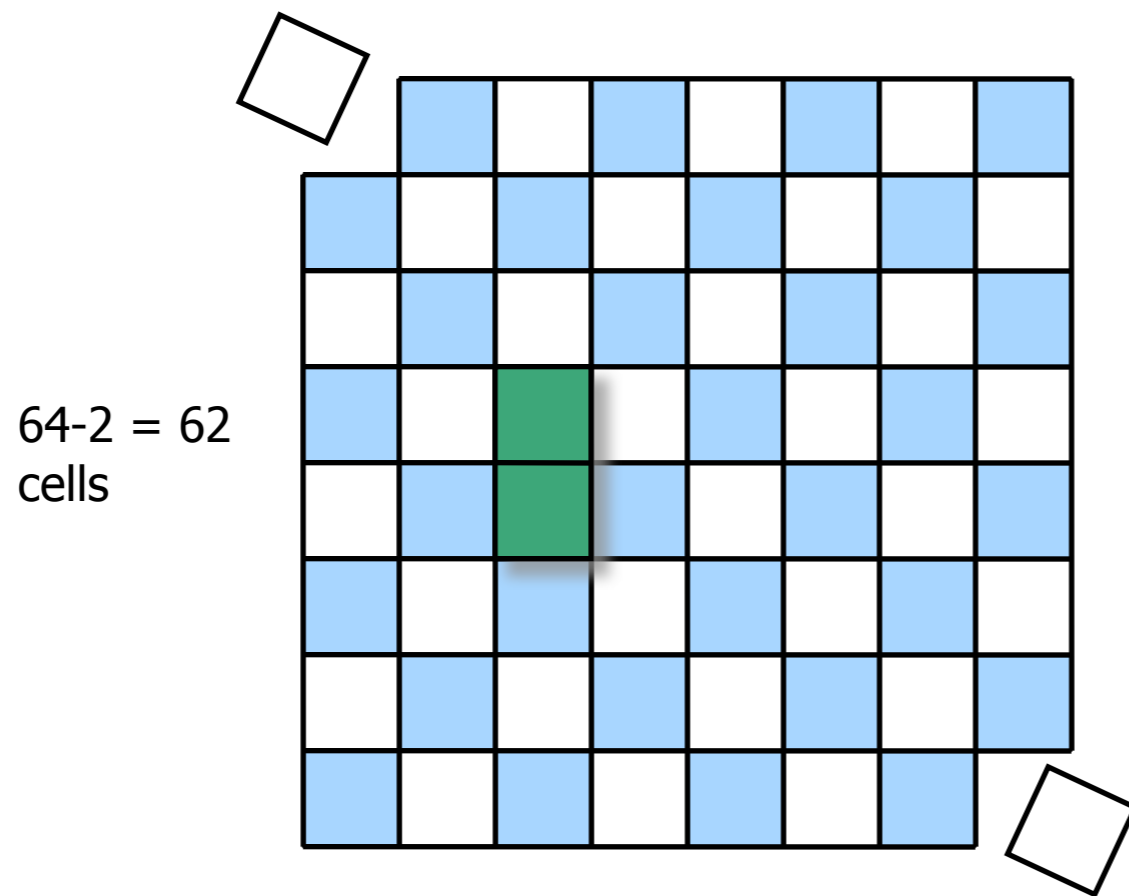
Puzzle time: tiling a chessboard with dominoes



Puzzle time: tiling a chessboard with dominoes



Puzzle time: tiling a chessboard with dominoes

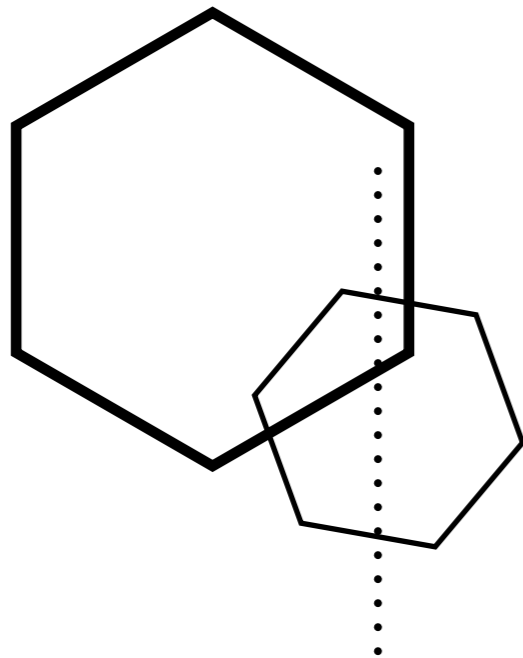


Invariant

An invariant of a dynamic system is an assertion that holds at every reachable state

Example

You have a polygon



You can rotate it

You can move it

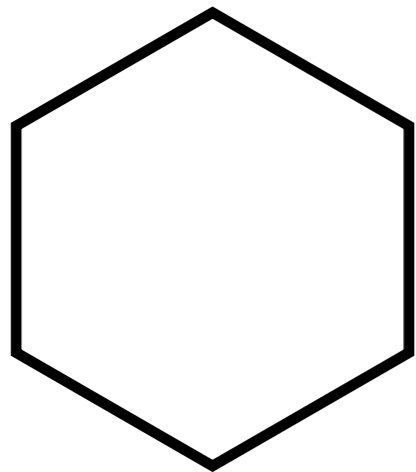
You can scale it

You can mirror it

Which invariants?

Example

You have a polygon



You can rotate it

You can move it

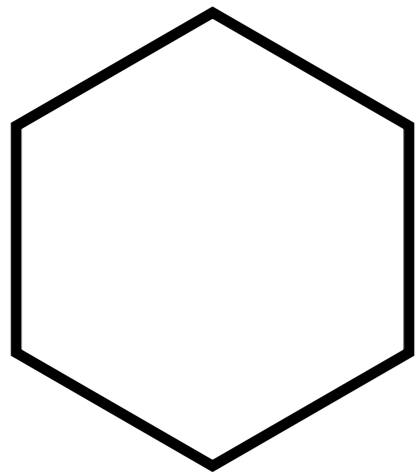
You can scale it

You can mirror it

Which invariants? **perimeter**

Example

You have a polygon



You can rotate it

You can move it

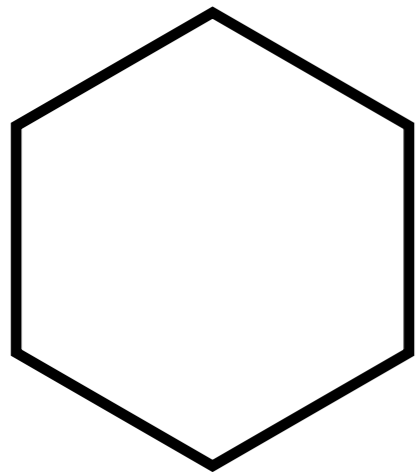
You can scale it

You can mirror it

Which invariants? **area**

Example

You have a polygon



You can rotate it

You can move it

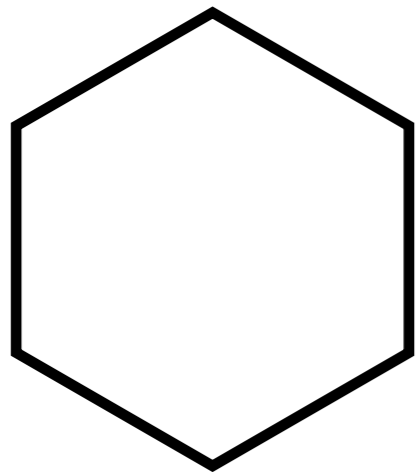
You can scale it

You can mirror it

Which invariants? **number of vertices**

Example

You have a polygon



You can rotate it

You can move it

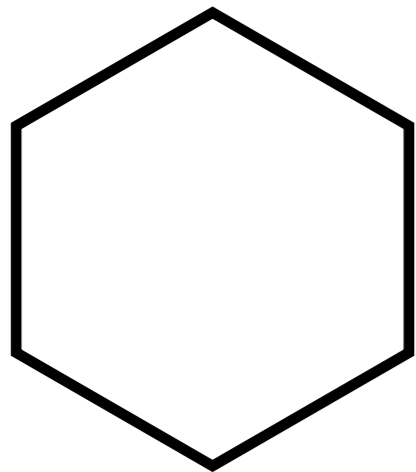
You can scale it

You can mirror it

Which invariants? **number of sides**

Example

You have a polygon



You can rotate it

You can move it

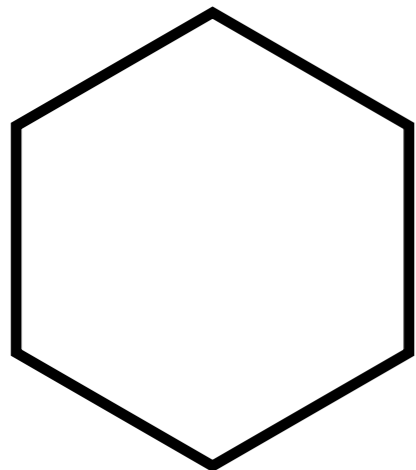
You can scale it

You can mirror it

Which invariants? **vertex degrees**

Example

You have a polygon



You can rotate it

You can move it

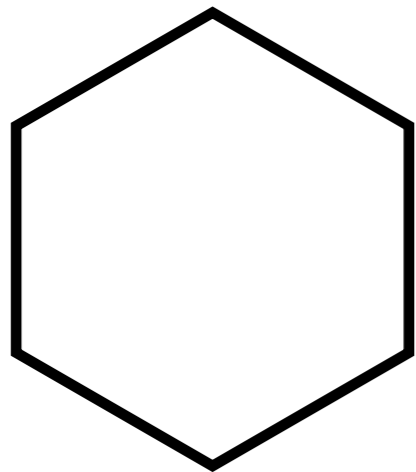
You can scale it

You can mirror it

Which invariants? **convexity**

Example

You have a polygon



You can rotate it

You can move it

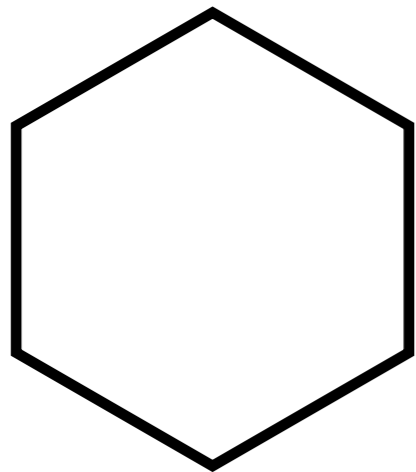
You can scale it

You can mirror it

Which invariants? **color**

Question time

You have a polygon



You can rotate it

You can move it

You can scale it

You can mirror it

You can stretch it

Which invariants?

color

convexity?

vertex degrees?

number of sides?

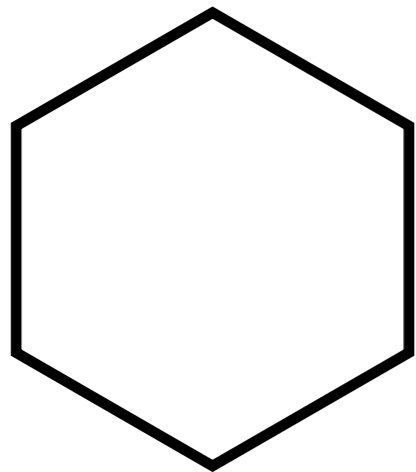
number of vertices?

area

perimeter

Question time

You have a polygon



You can rotate it

You can move it

You can scale it

You can mirror it

You can stretch it

Which invariants?

color

convexity

vertex degrees?

number of sides?

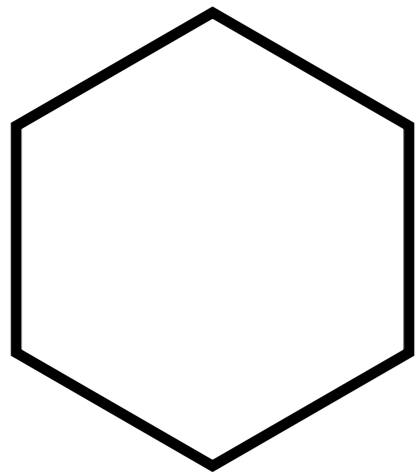
number of vertices?

area

perimeter

Question time

You have a polygon



You can rotate it

You can move it

You can scale it

You can mirror it

You can stretch it

Which invariants?

color

convexity

vertex degrees

number of sides?

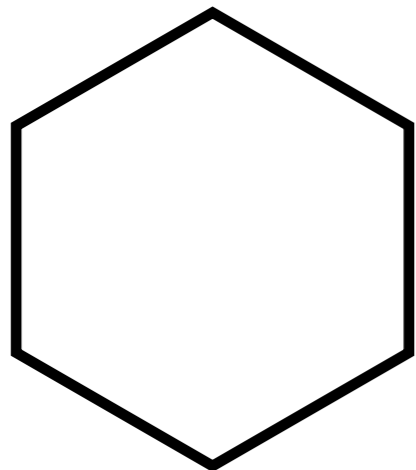
number of vertices?

area

perimeter

Question time

You have a polygon



You can rotate it

You can move it

You can scale it

You can mirror it

You can stretch it

Which invariants?

color

convexity

vertex degrees

number of sides

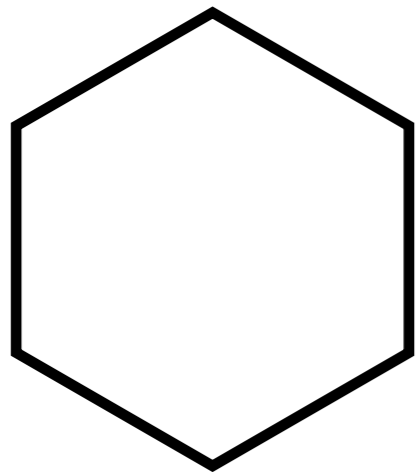
number of vertices?

area

perimeter

Question time

You have a polygon



You can rotate it

You can move it

You can scale it

You can mirror it

You can stretch it

Which invariants?

color

convexity

vertex degrees

number of sides

number of vertices

area

perimeter

Puzzle: from MI to MU

You can compose words using symbols **M**, **I**, **U**

Given the initial word **MI**, you can apply the following transformations, in any order, as many times as you like:

1. Add a **U** to the end of any string ending in **I** (e.g., **MI** to **MIU**).
2. Double the string after the **M** (e.g., **MIU** to **MIUIU**).
3. Replace any **III** with a **U** (e.g., **MUIIIU** to **MUUU**).
4. Remove any **UU** (e.g., **MUUU** to **MU**).

MI $\xrightarrow{2}$ **MII** $\xrightarrow{2}$ **MIII** $\xrightarrow{1}$ **MIIIIU** $\xrightarrow{3}$ **MIUU** $\xrightarrow{4}$ **MI**

Puzzle: from MI to MU

You can compose words using symbols **M**, **I**, **U**

Given the initial word **MI**, you can apply the following transformations, in any order, as many times as you like:

1. Add a **U** to the end of any string ending in **I** (e.g., **MI** to **MIU**).
2. Double the string after the **M** (e.g., **MIU** to **MIUIU**).
3. Replace any **III** with a **U** (e.g., **MUIIU** to **MUUU**).
4. Remove any **UU** (e.g., **MUUU** to **MU**).

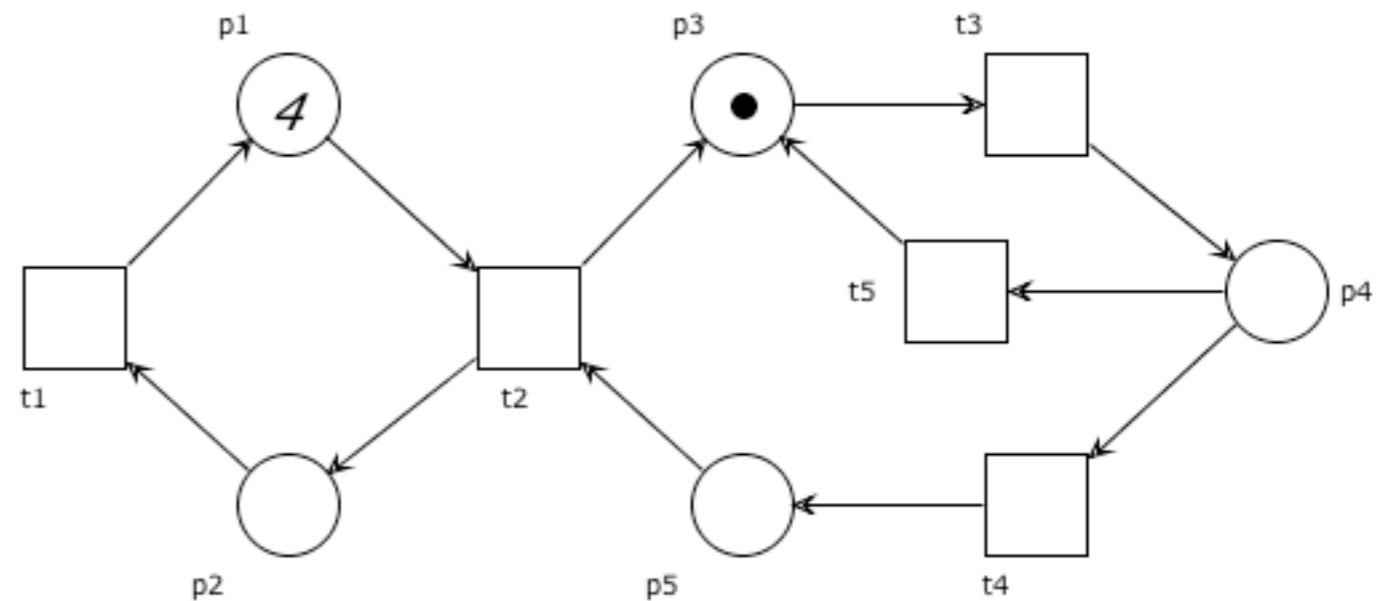
Can you transform **MI** to **MU**?
(*Hint*: count the **I**s modulo 3)

Example

You have a Petri net

$$(P, T, F, M_0)$$

You can fire any
currently enabled
transition



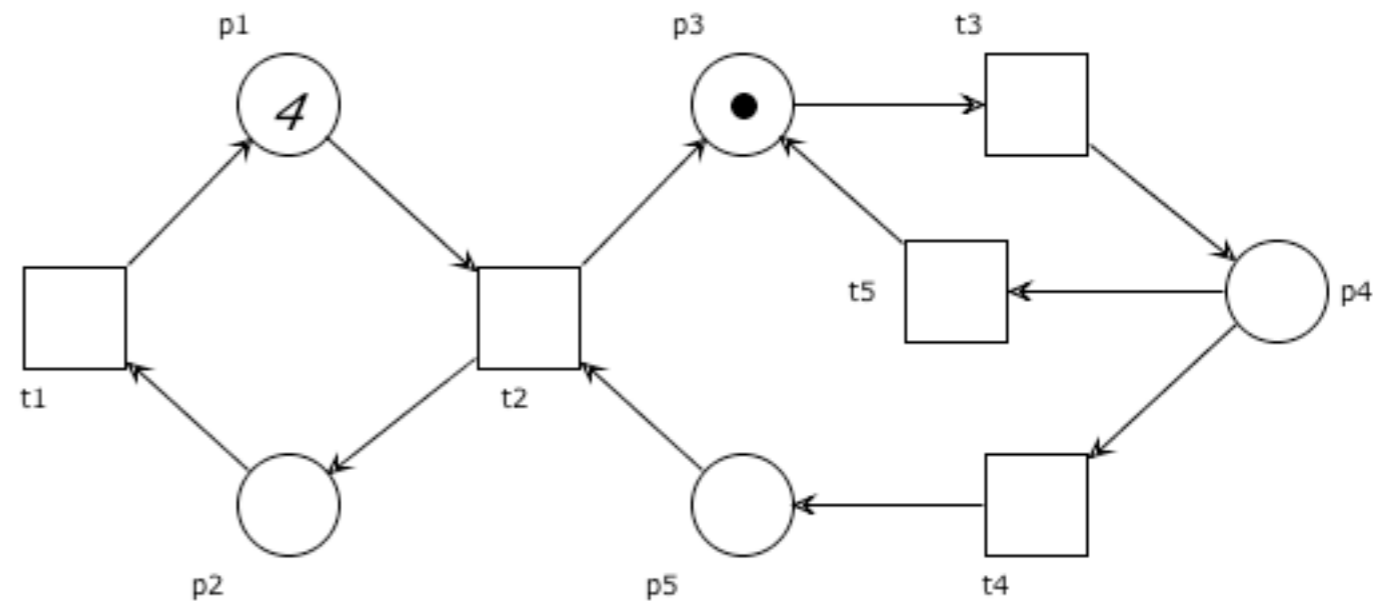
Which invariants?

Example

You have a Petri net

$$(P, T, F, M_0)$$

You can fire any
currently enabled
transition



Which invariants?

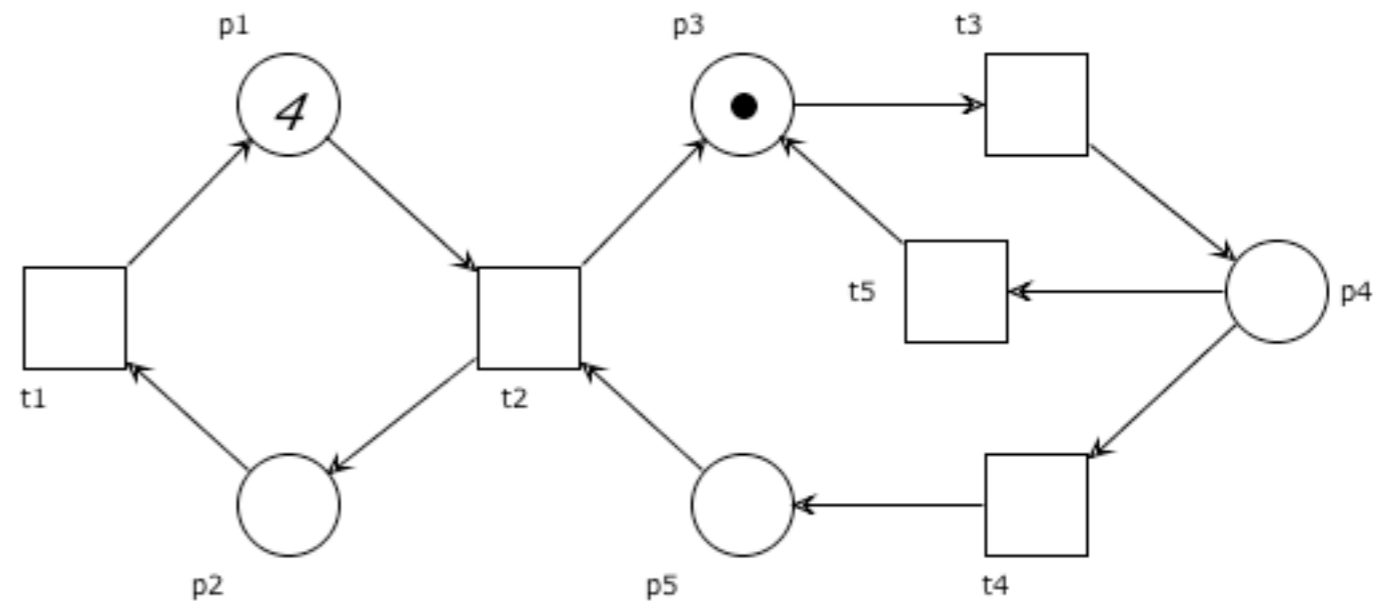
color

Example

You have a Petri net

$$(P, T, F, M_0)$$

You can fire any currently enabled transition



Which invariants?

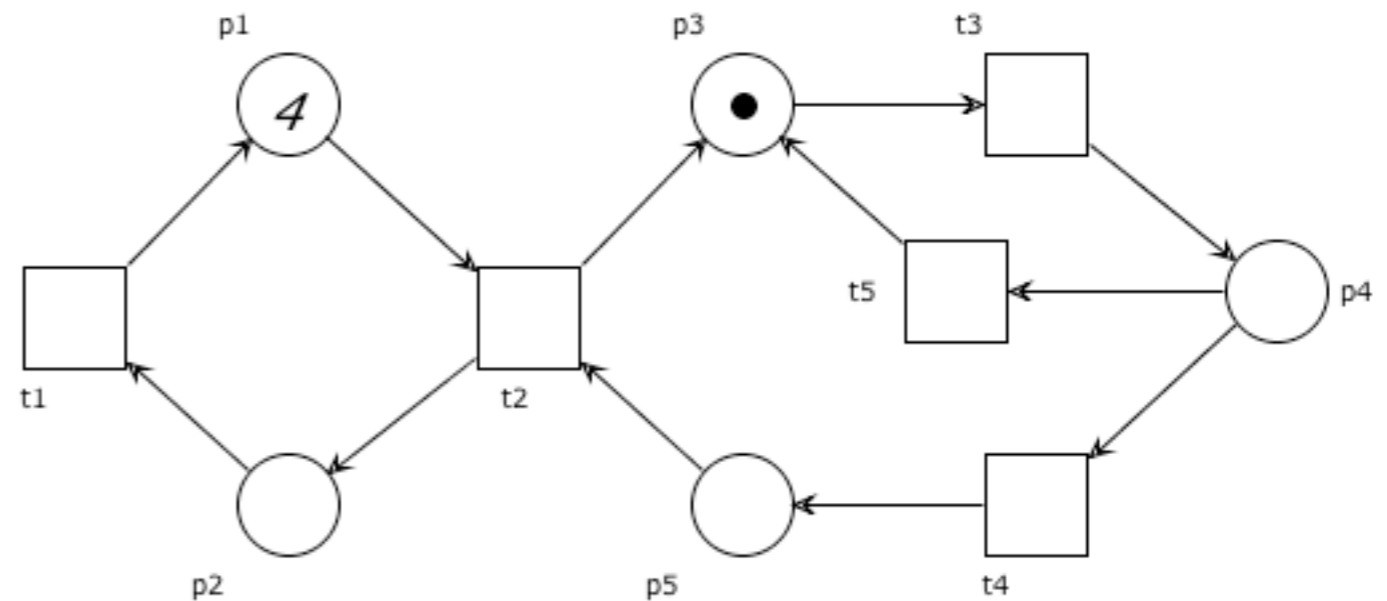
P, T, F

Example

You have a Petri net

$$(P, T, F, M_0)$$

You can fire any currently enabled transition



Which invariants?

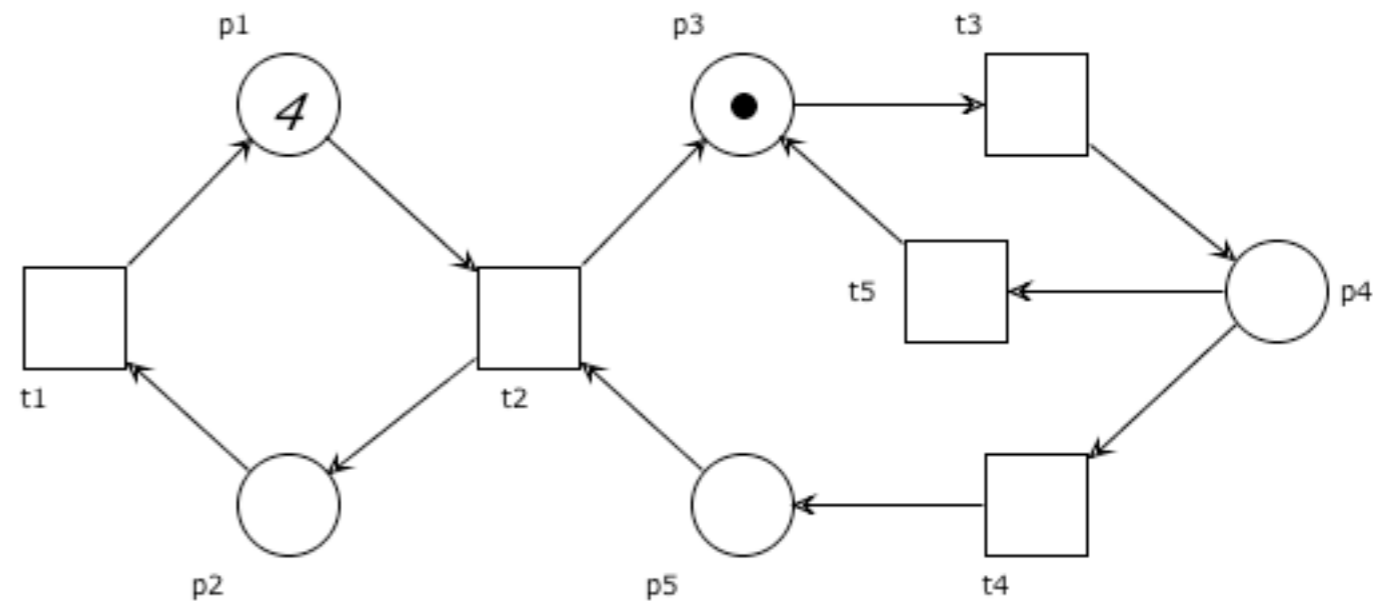
number of tokens in p3

Example

You have a Petri net

$$(P, T, F, M_0)$$

You can fire any currently enabled transition



Which invariants?

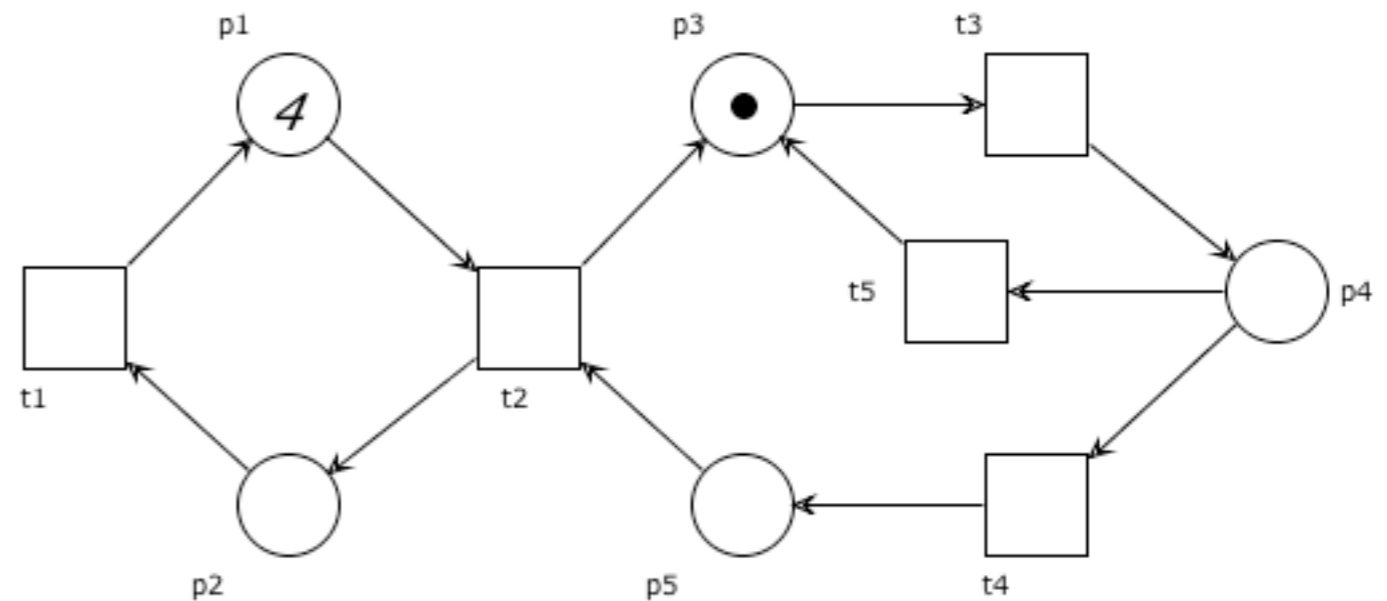
number of tokens in a
dead place

Example

You have a Petri net

$$(P, T, F, M_0)$$

You can fire any currently enabled transition



Which invariants?

Any property that holds for any reachable marking

Recall:

Liveness, formally

$$(P, T, F, M_0)$$

$$\forall t \in T, \quad \forall M \in [M_0 \rangle, \quad \exists M' \in [M \rangle, \quad M' \xrightarrow{t}$$

Liveness as invariant

Lemma

If (P, T, F, M_0) is live and $M \in [M_0 \rangle$, then (P, T, F, M) is live.

Let $t \in T$ and $M' \in [M \rangle$.

Since $M \in [M_0 \rangle$, then $M' \in [M_0 \rangle$.

Since (P, T, F, M_0) is live, $\exists M'' \in [M' \rangle$ with $M'' \xrightarrow{t}$.

Therefore (P, T, F, M) is live.

Recall: Deadlock freedom, formally

$$(P, T, F, M_0)$$

$$\forall M \in [M_0 \rangle, \quad \exists t \in T, \quad M \xrightarrow{t}$$

Deadlock freedom as invariant

Lemma: If (P, T, F, M_0) is deadlock-free and $M \in [M_0 \rangle$, then (P, T, F, M) is deadlock-free.

Let $M' \in [M \rangle$.

Since $M \in [M_0 \rangle$, then $M' \in [M_0 \rangle$.

Since (P, T, F, M_0) is deadlock-free, $\exists t \in T$ with $M' \xrightarrow{t}$.

Therefore (P, T, F, M) is deadlock-free.

Exercise

Give the formal definition of Boundedness

Then prove that Boundedness is an invariant

Or give a counter-example

Exercise

Give the formal definition of Cyclicity

Then prove that Cyclicity is an invariant

Or give a counter-example

Structural invariants

In the case of Petri nets, it is possible to compute certain vectors of **rational** numbers^(*) (directly from the structure of the net) (independently from the initial marking) which induce nice invariants, called

S-invariants

T-invariants

(*) it is not necessary to consider real-valued solutions, because incidence matrices only have integer entries

Why invariants?

Can be calculated efficiently
(polynomial time for a basis)

Independent of initial marking

Structural property with behavioural consequences

However, the main reason is didactical!
You only truly understand a model if you think
about it in terms of invariants!

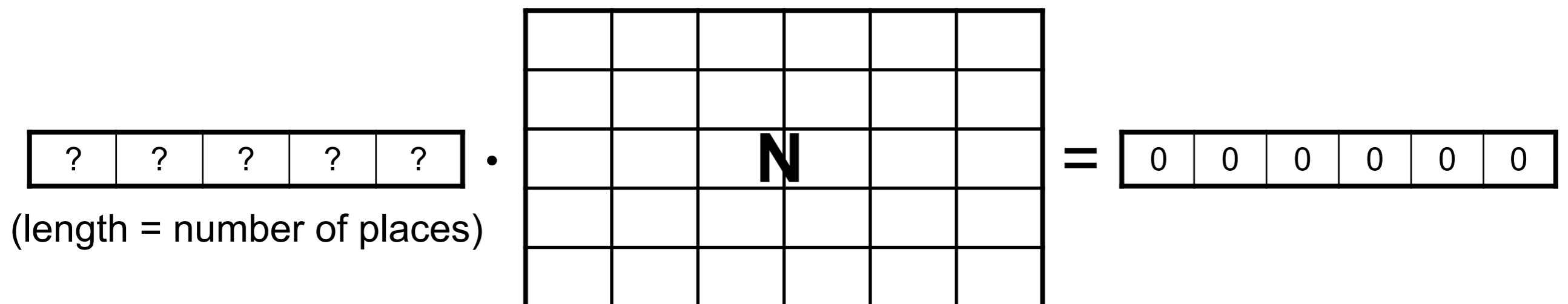


S-invariants

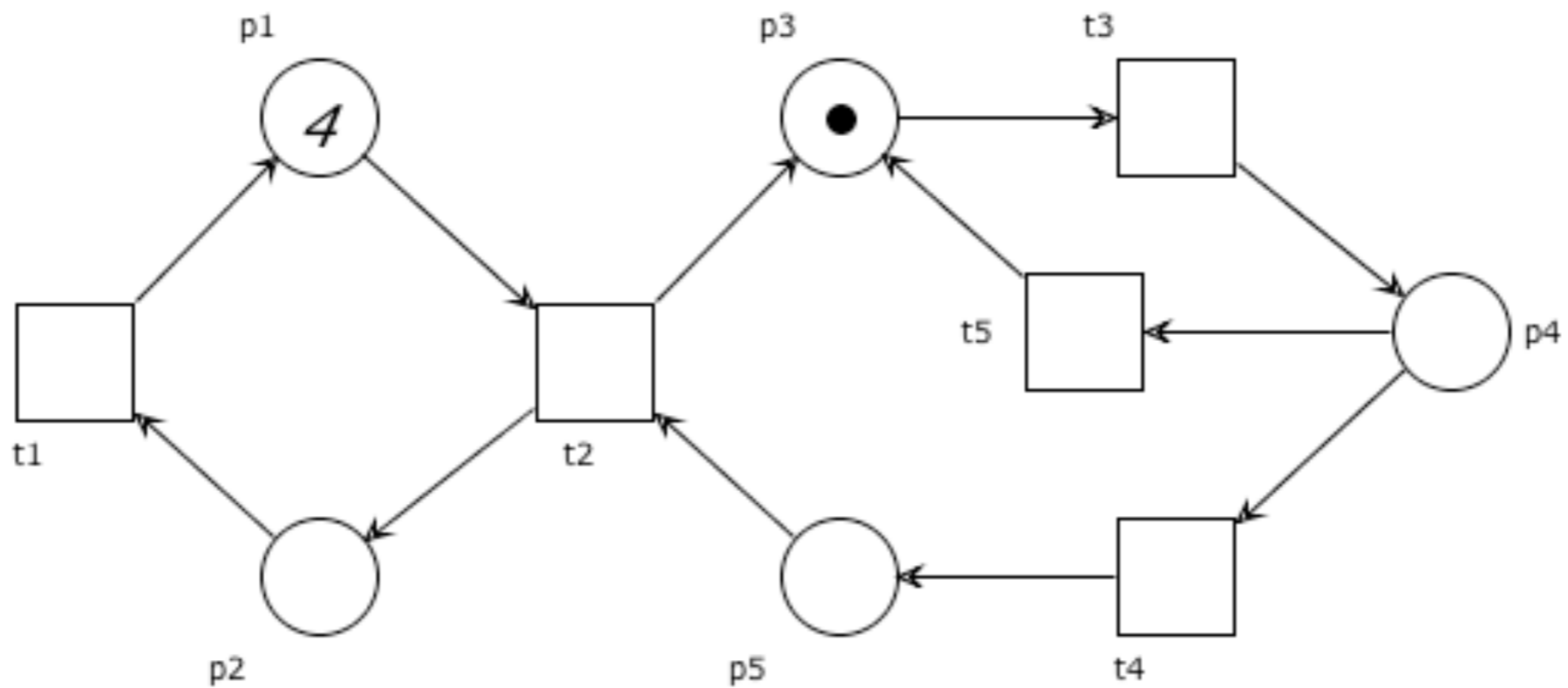
S-invariant (aka place-invariant)

Definition: An **S-invariant** of a net $N=(P,T,F)$ is a rational-valued solution x of the equation

$$x \cdot N = 0$$



Example



Find some/all S-invariants for the net above

Fundamental property of S -invariants

Proposition: Let \mathbf{I} be an invariant of N .

For any $M \in [M_0 \rangle$ we have $\mathbf{I} \cdot M = \mathbf{I} \cdot M_0$

$$\begin{array}{|c|c|c|c|c|} \hline & & \mathbf{I} & & \\ \hline \end{array} \cdot \begin{array}{|c|} \hline \\ \hline \\ \hline M \\ \hline \\ \hline \\ \hline \end{array} = \begin{array}{|c|c|c|c|c|} \hline & & \mathbf{I} & & \\ \hline \end{array} \cdot \begin{array}{|c|} \hline \\ \hline \\ \hline M_0 \\ \hline \\ \hline \\ \hline \end{array}$$

Fundamental property of S -invariants

Proposition: Let \mathbf{I} be an invariant of N .

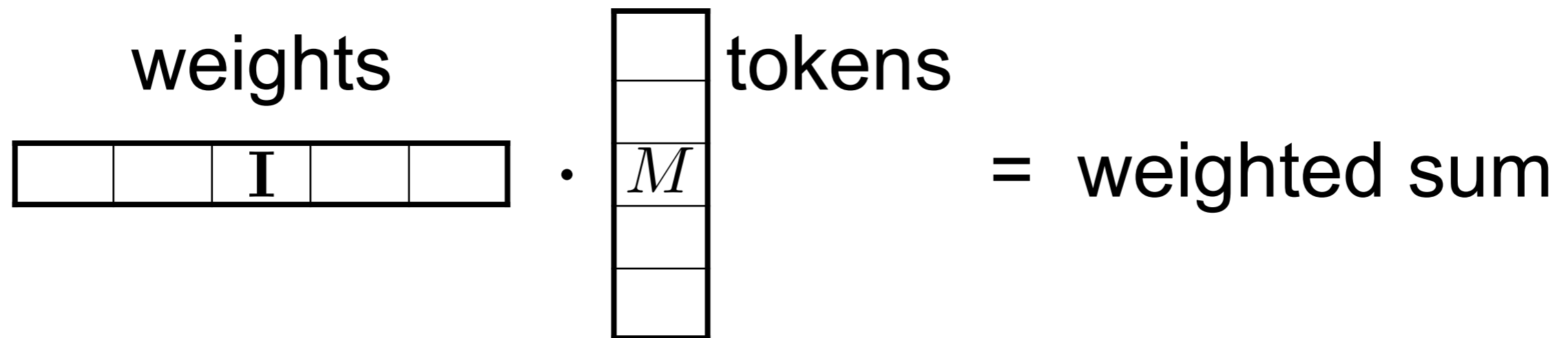
For any $M \in [M_0 \rangle$ we have $\mathbf{I} \cdot M = \mathbf{I} \cdot M_0$

Since $M \in [M_0 \rangle$, there is σ s.t. $M_0 \xrightarrow{\sigma} M$

By the marking equation: $M = M_0 + \mathbf{N} \cdot \vec{\sigma}$

$$\begin{aligned} \text{Therefore: } \mathbf{I} \cdot M &= \mathbf{I} \cdot (M_0 + \mathbf{N} \cdot \vec{\sigma}) \\ &= \mathbf{I} \cdot M_0 + \mathbf{I} \cdot \mathbf{N} \cdot \vec{\sigma} \\ &= \mathbf{I} \cdot M_0 + \mathbf{0} \cdot \vec{\sigma} \\ &= \mathbf{I} \cdot M_0 \end{aligned}$$

Place-invariant, intuitively



Place-invariant, intuitively

A place-invariant assigns a **weight to each place** such that the weighted token sum remains constant during any computation

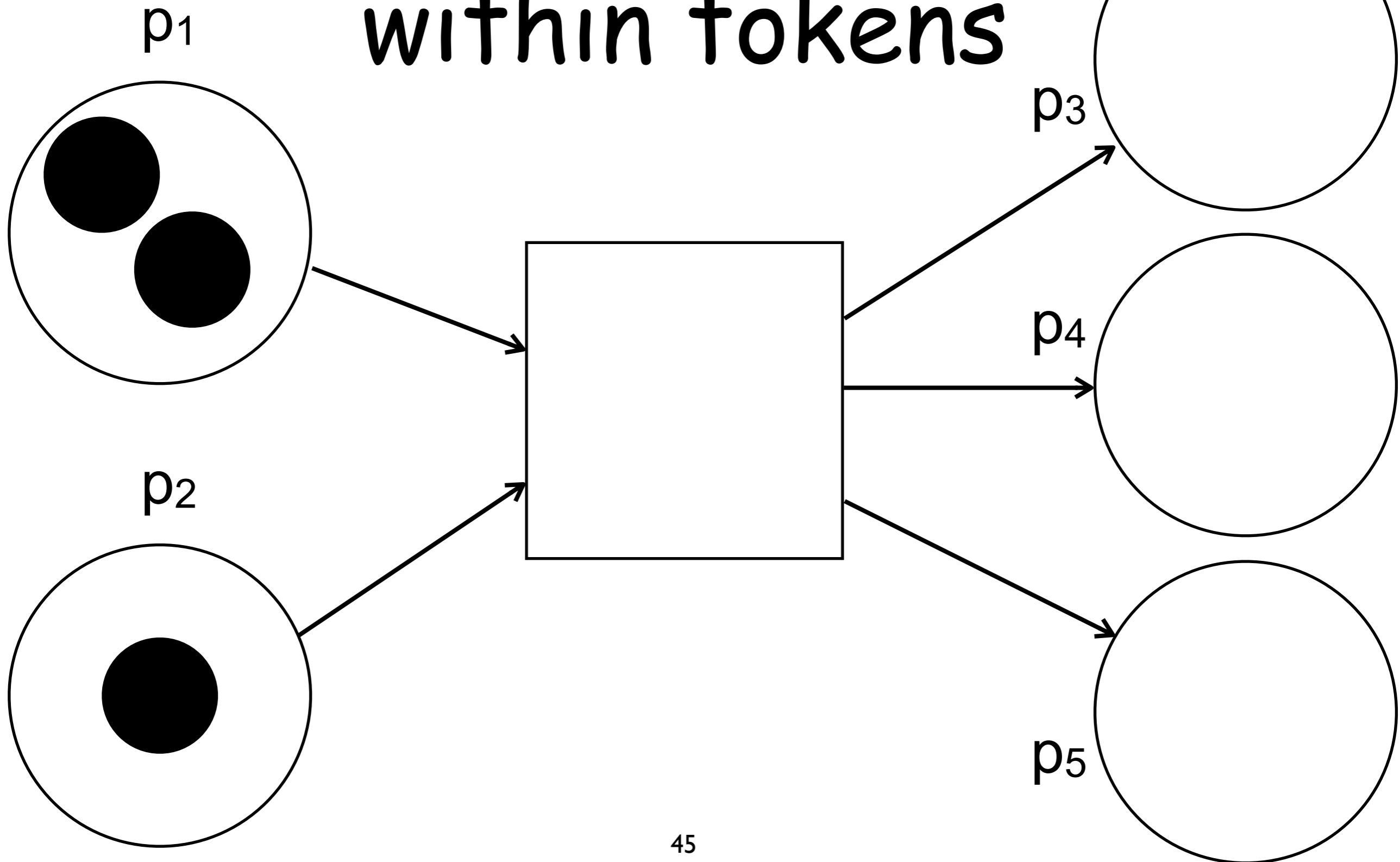
For example, you can imagine that tokens are coins, places are the different kinds of available coins, the S-invariant assigns a value to each coin: the value of a marking is the sum of the values of the tokens/coins in it and it is not changed by firings

Place-invariant, intuitively

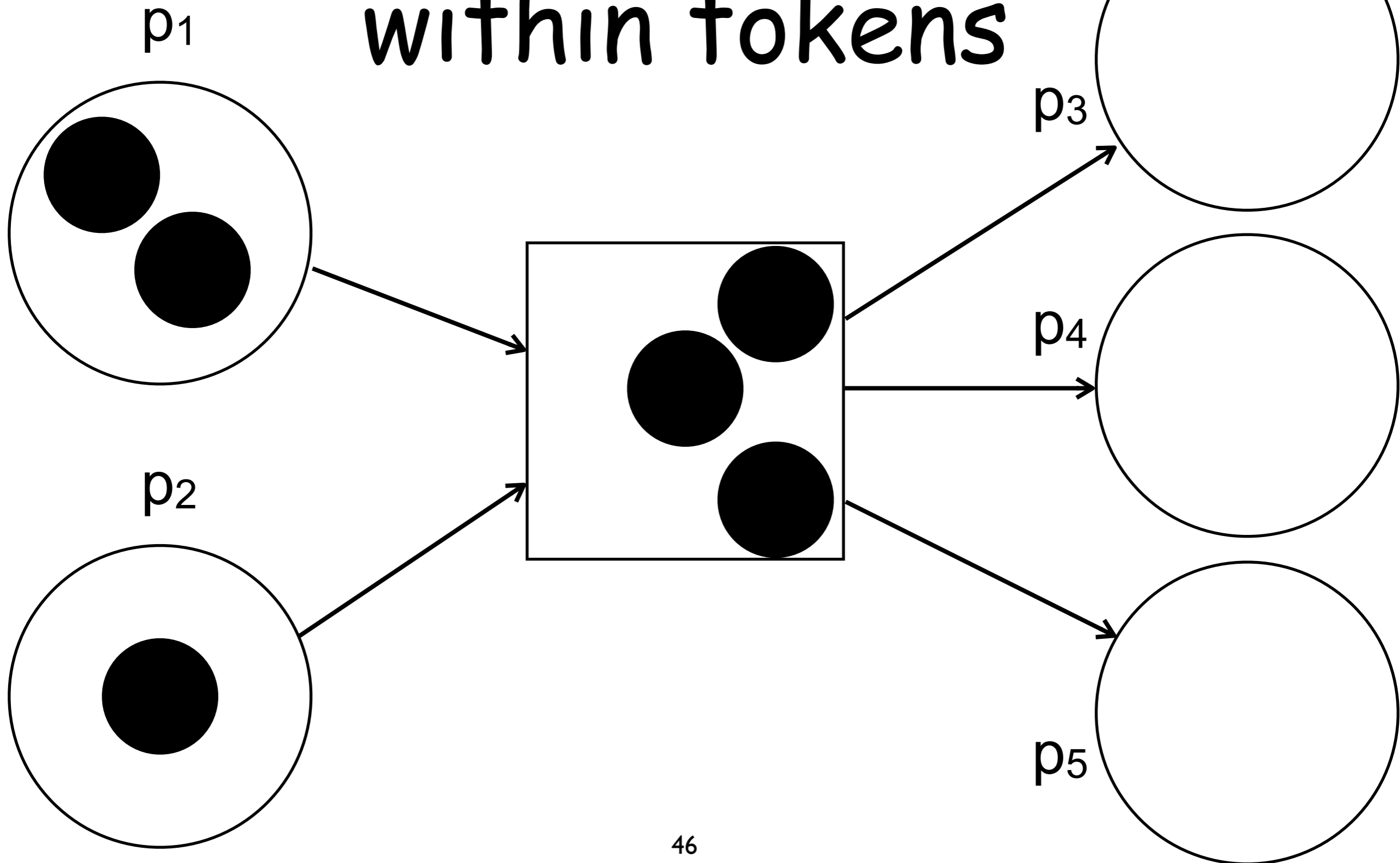
A place-invariant assigns a **weight to each place** such that the weighted token sum remains constant during any computation

For example, you can imagine that tokens are molecules, places are different kinds of molecules, the S-invariant assigns the number of atoms needed to form each molecule:
the overall number of atoms is not changed by firings

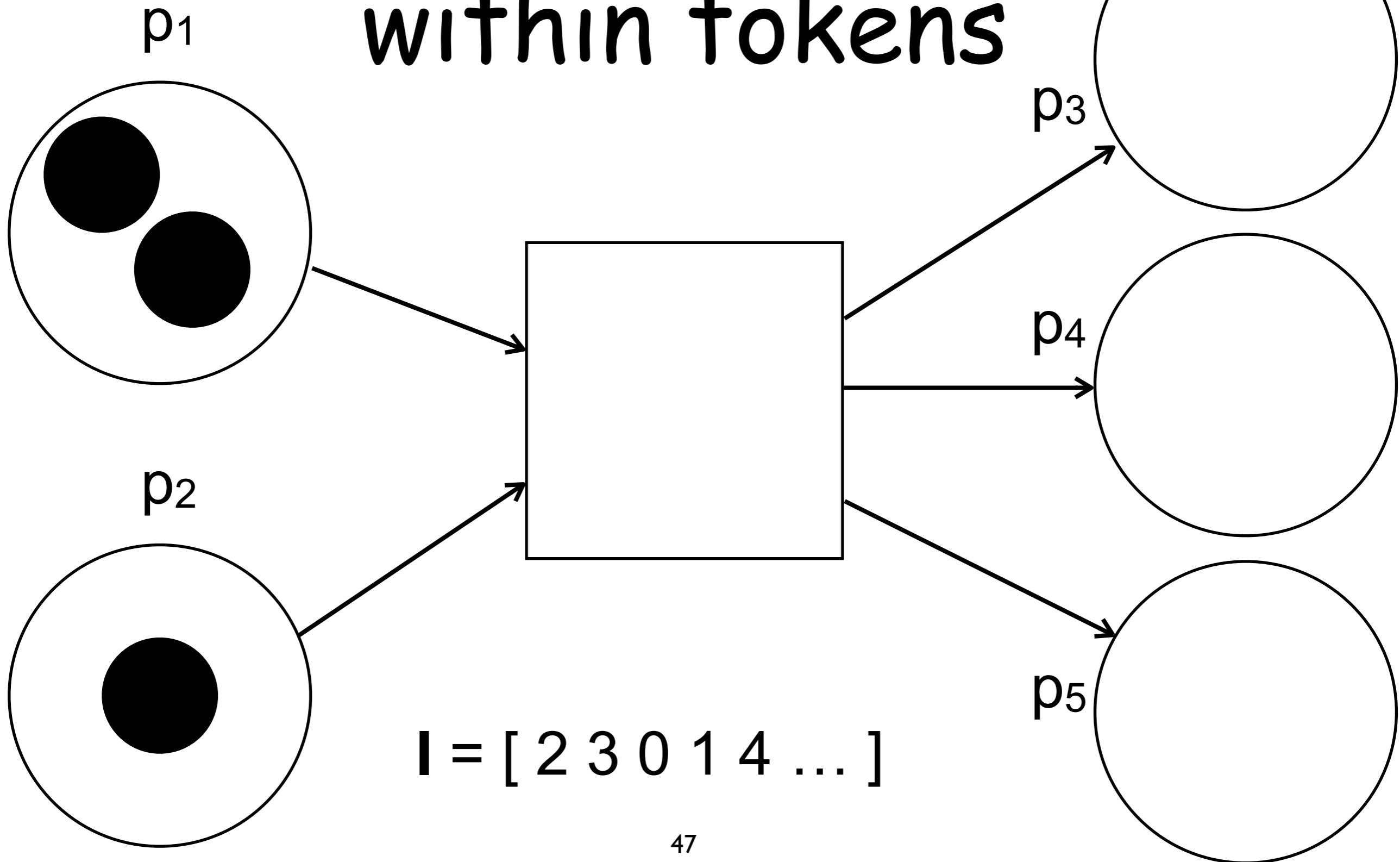
Intuition: bubbles within tokens



Intuition: bubbles within tokens



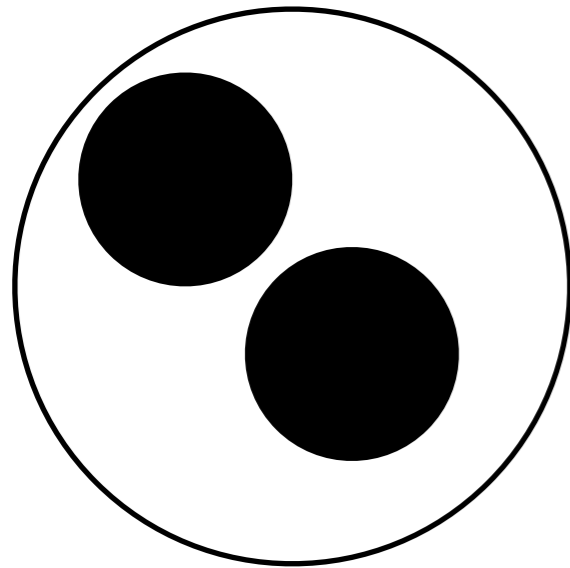
Intuition: bubbles within tokens



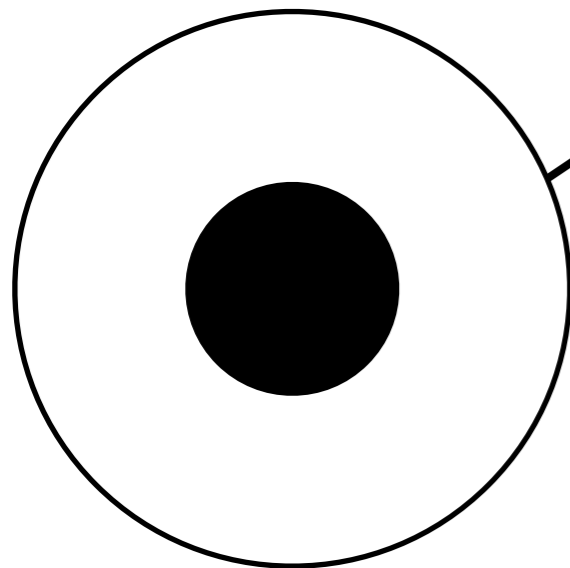
Intuition: bubbles

within tokens

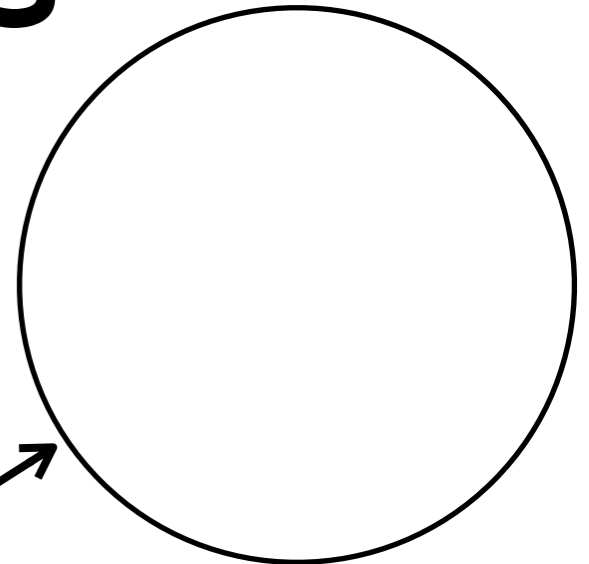
$$I(p_1)=2$$



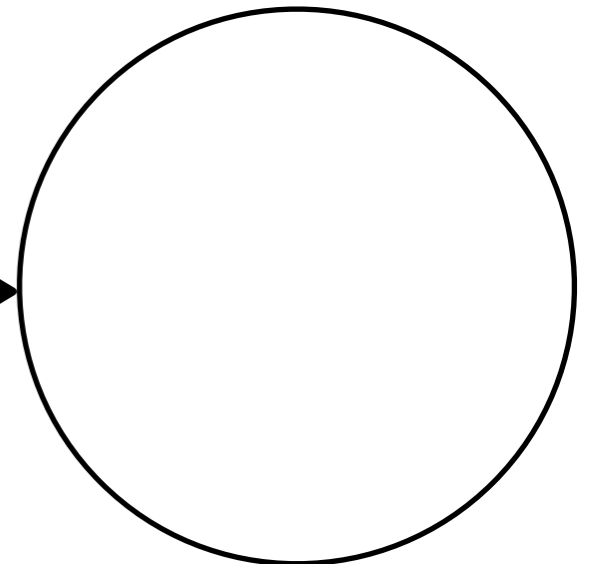
$$I(p_2)=3$$



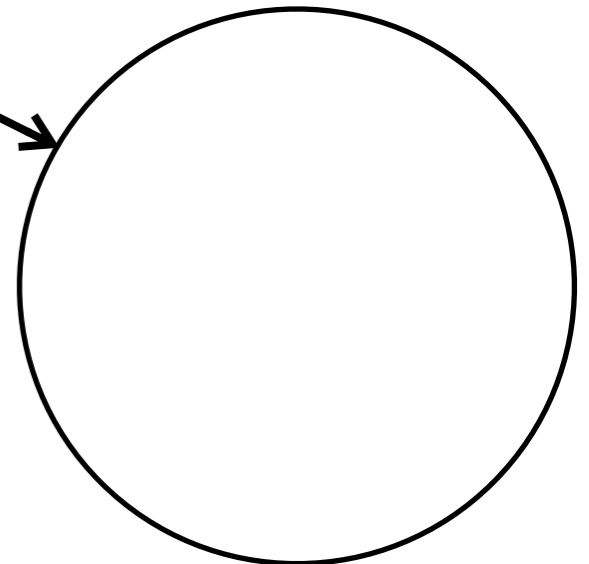
$$I(p_3)=0$$



$$I(p_4)=1$$



$$I(p_5)=4$$

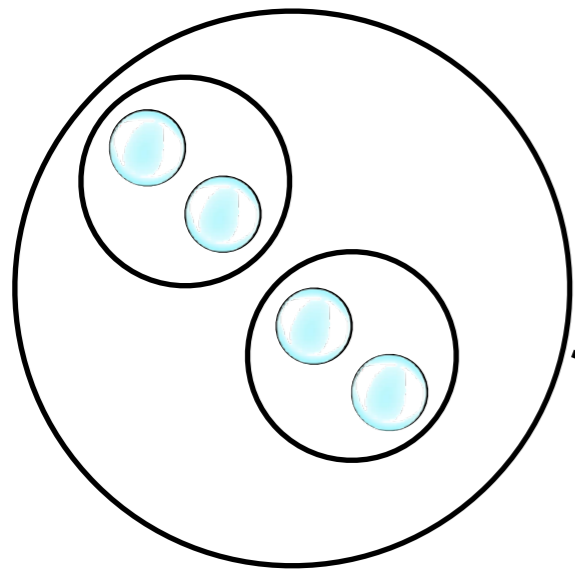


$$I = [2 \ 3 \ 0 \ 1 \ 4 \ \dots]$$

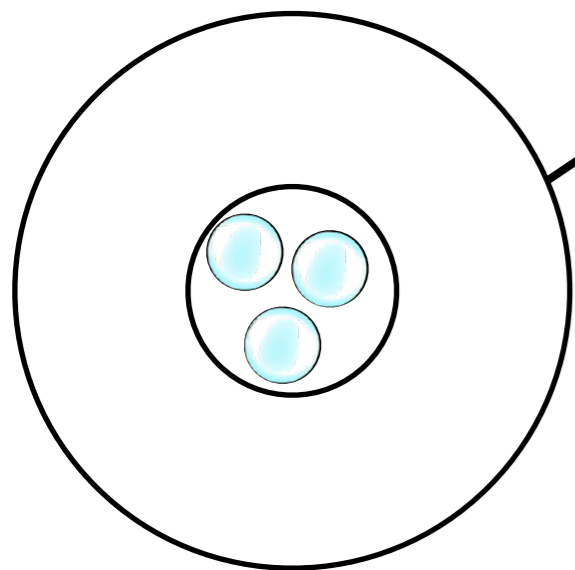
Intuition: bubbles

within tokens

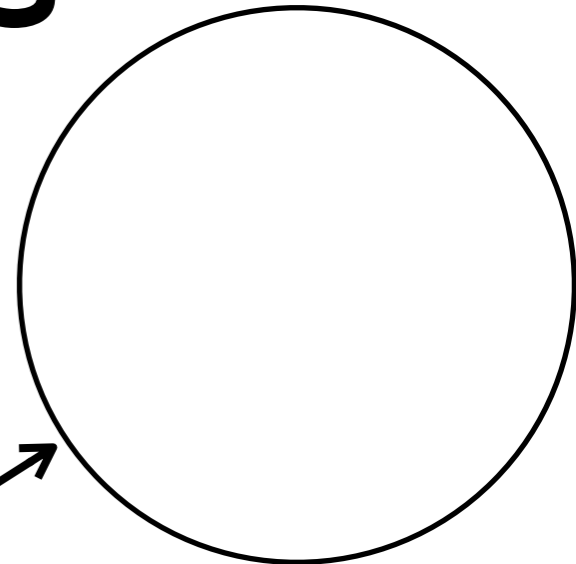
$$I(p_1)=2$$



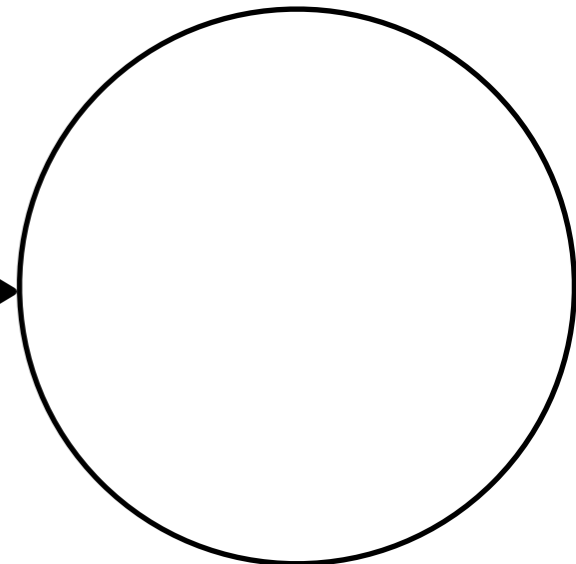
$$I(p_2)=3$$



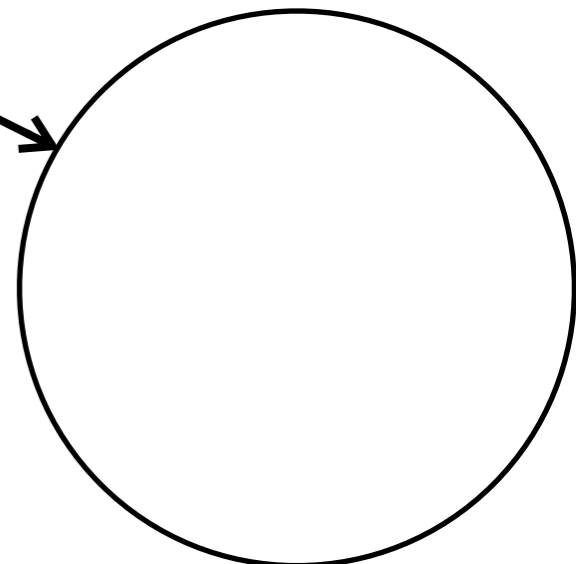
$$I(p_3)=0$$



$$I(p_4)=1$$



$$I(p_5)=4$$

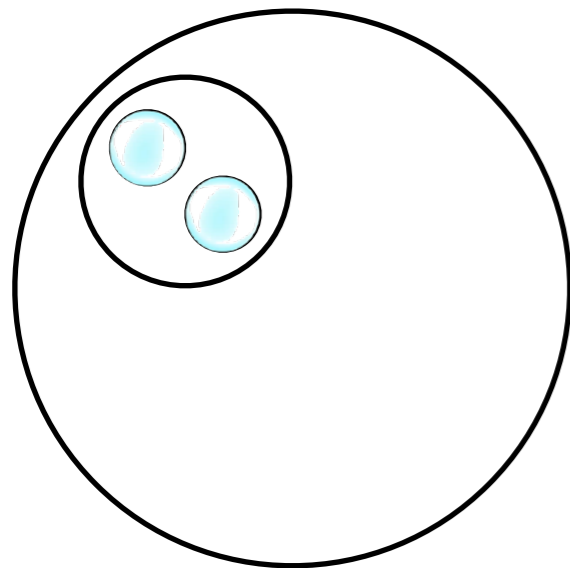


$$I = [2 \ 3 \ 0 \ 1 \ 4 \ \dots]$$

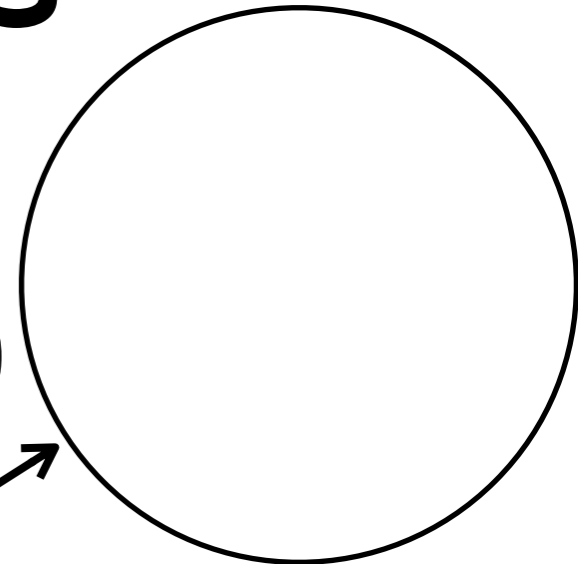
Intuition: bubbles

within tokens

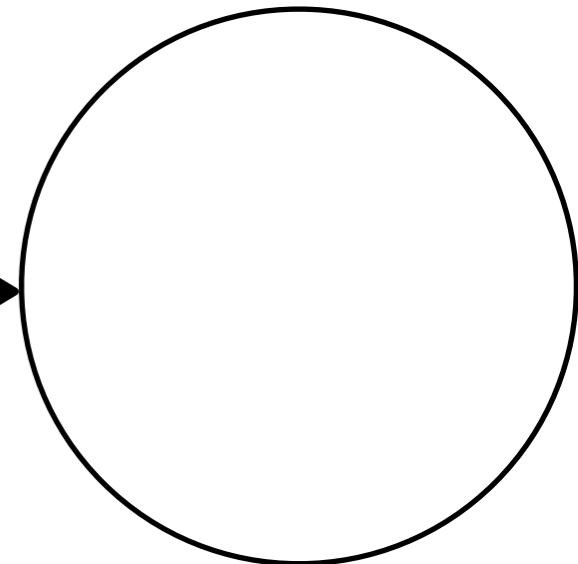
$$I(p_1)=2$$



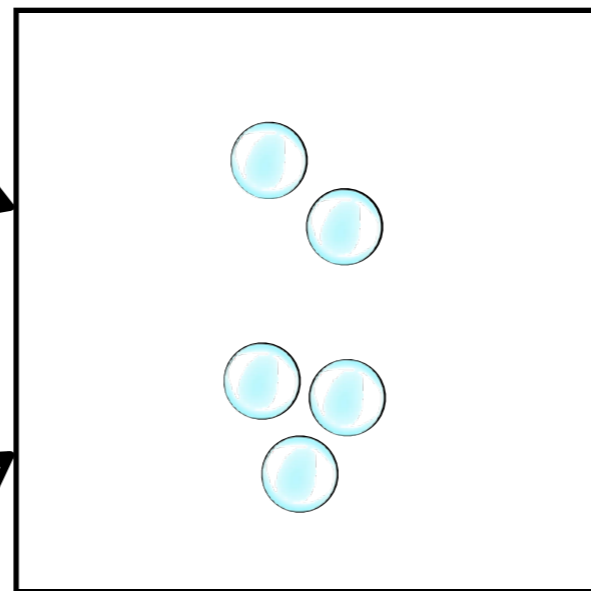
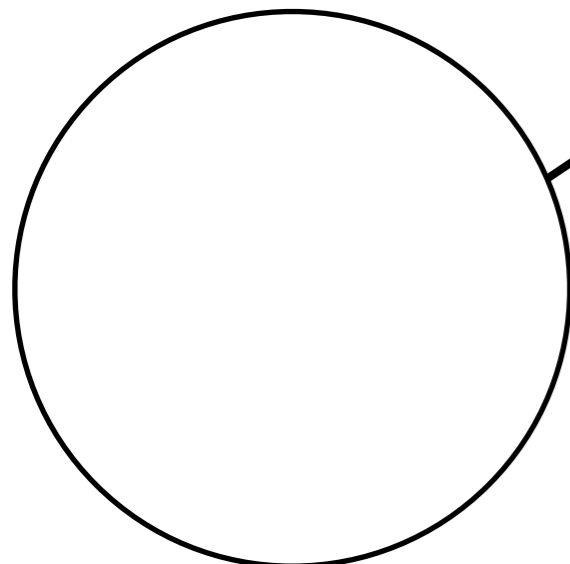
$$I(p_3)=0$$



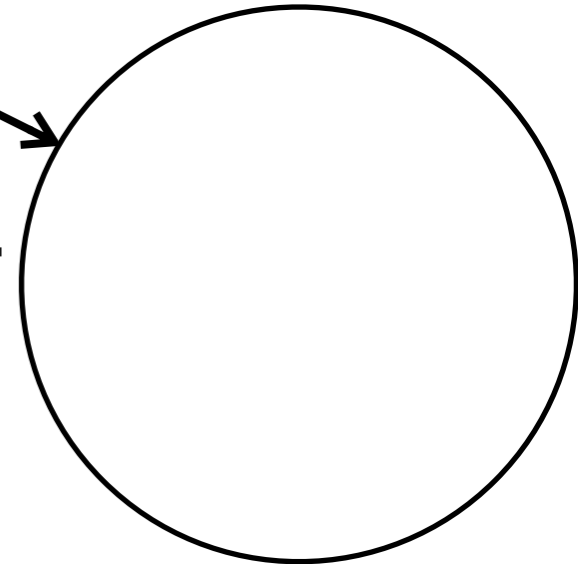
$$I(p_4)=1$$



$$I(p_2)=3$$



$$I(p_5)=4$$

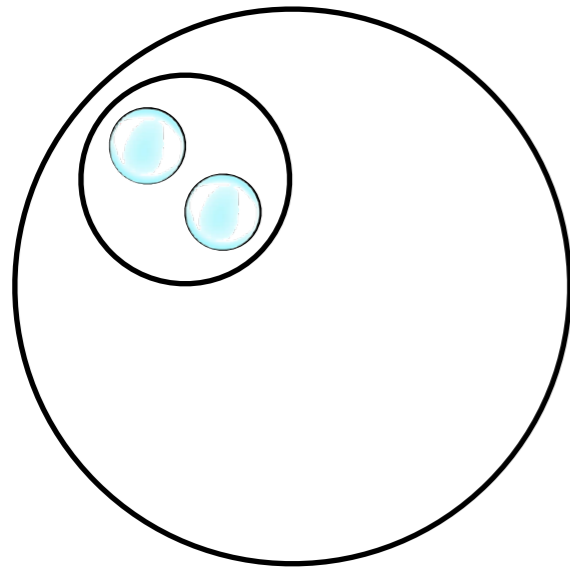


$$I = [2 \ 3 \ 0 \ 1 \ 4 \ \dots]$$

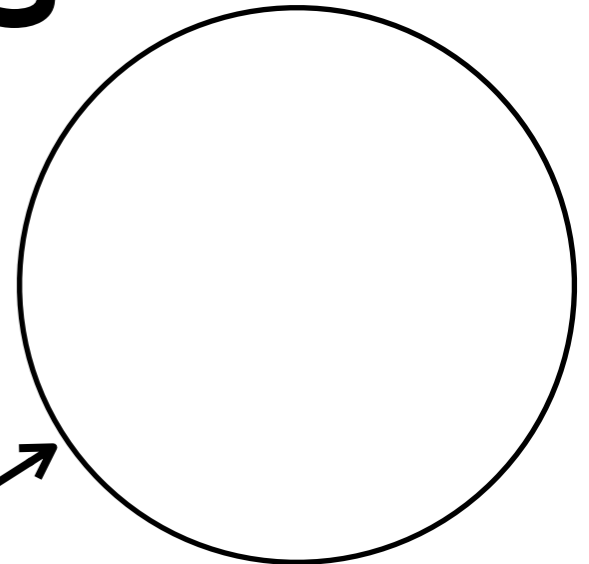
Intuition: bubbles

within tokens

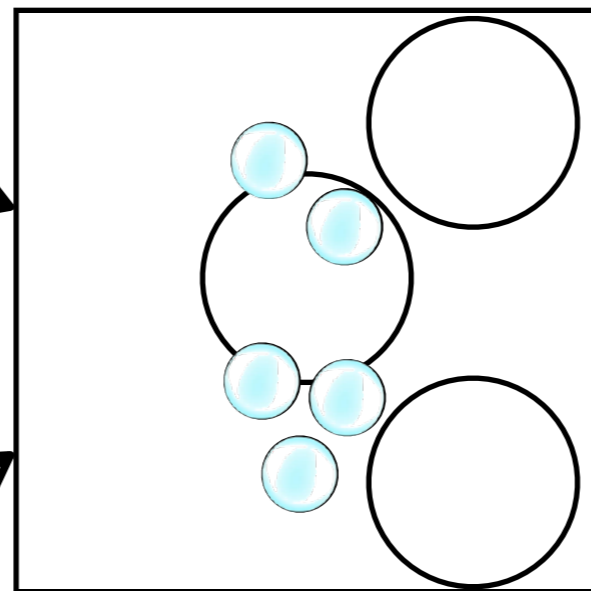
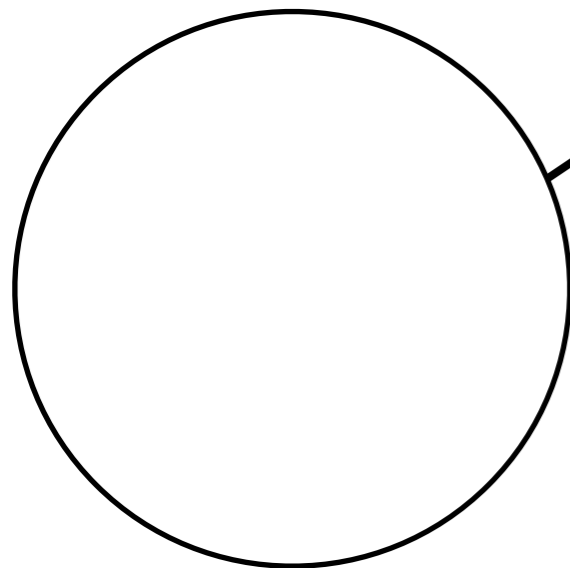
$$I(p_1)=2$$



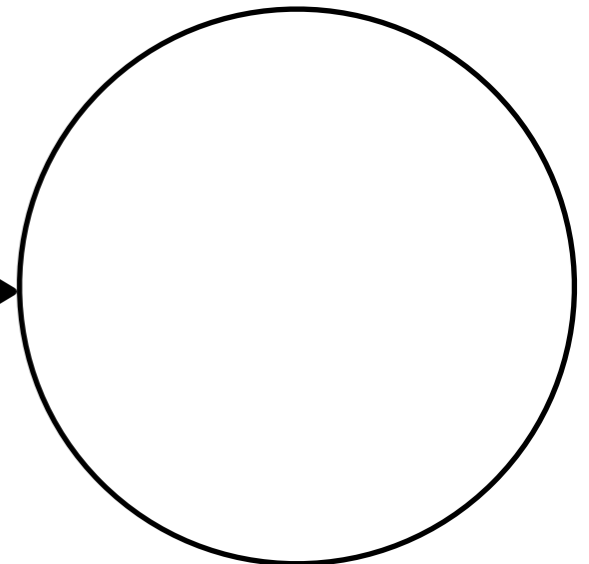
$$I(p_3)=0$$



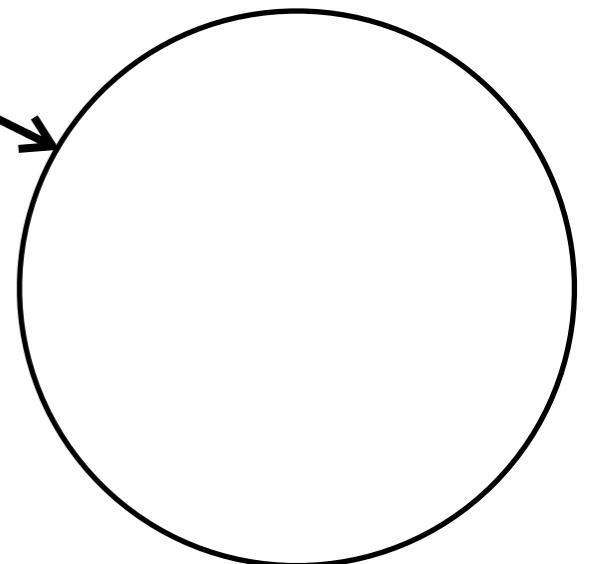
$$I(p_2)=3$$



$$I(p_4)=1$$



$$I(p_5)=4$$

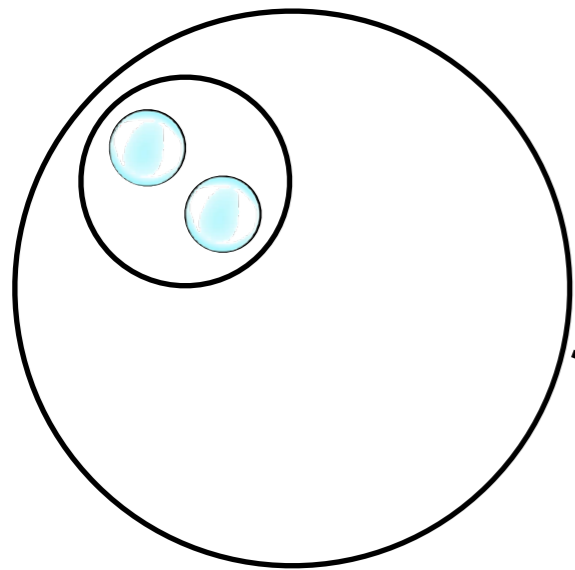


$$I = [2 \ 3 \ 0 \ 1 \ 4 \ \dots]$$

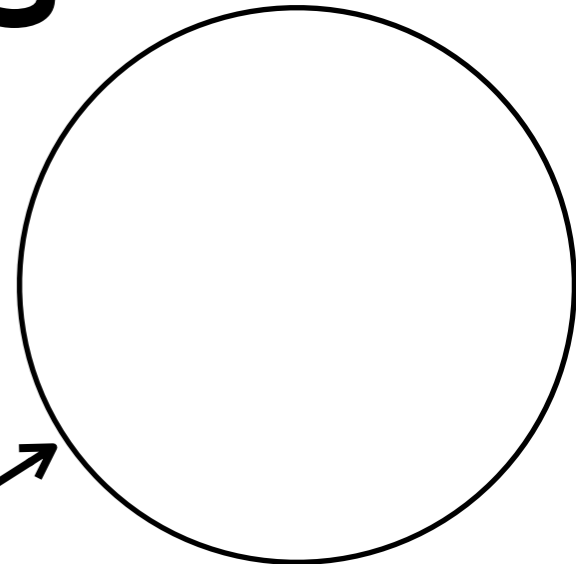
Intuition: bubbles

within tokens

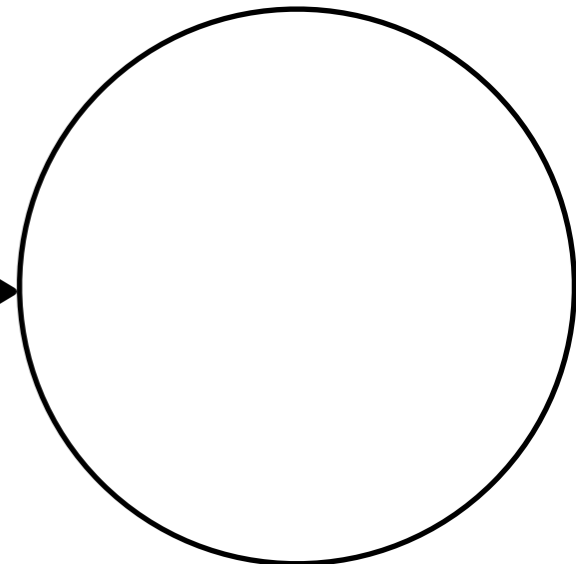
$$I(p_1)=2$$



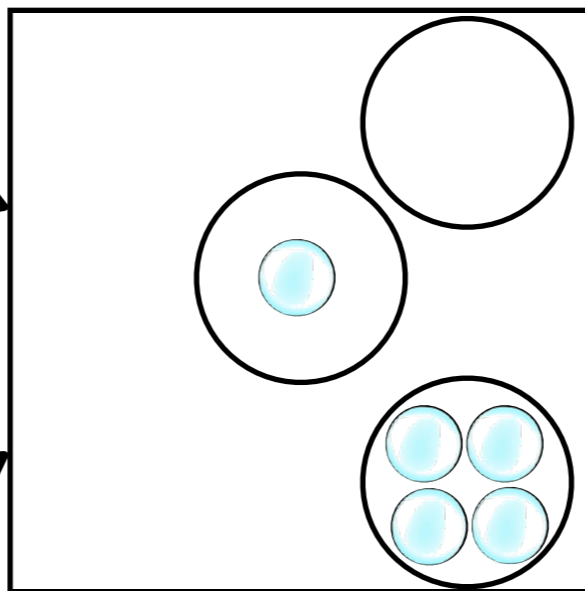
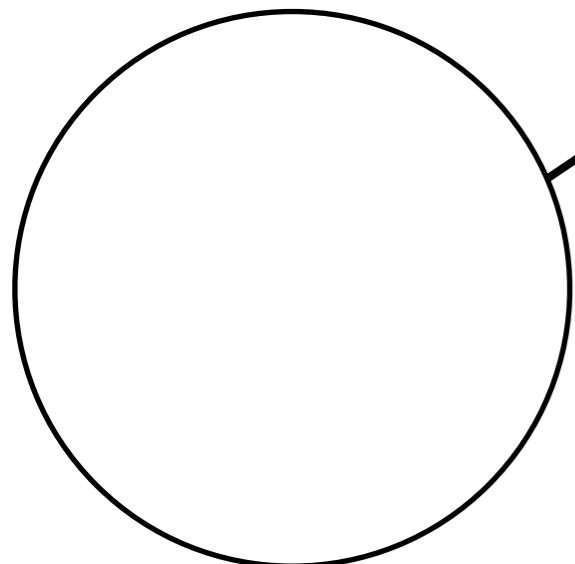
$$I(p_3)=0$$



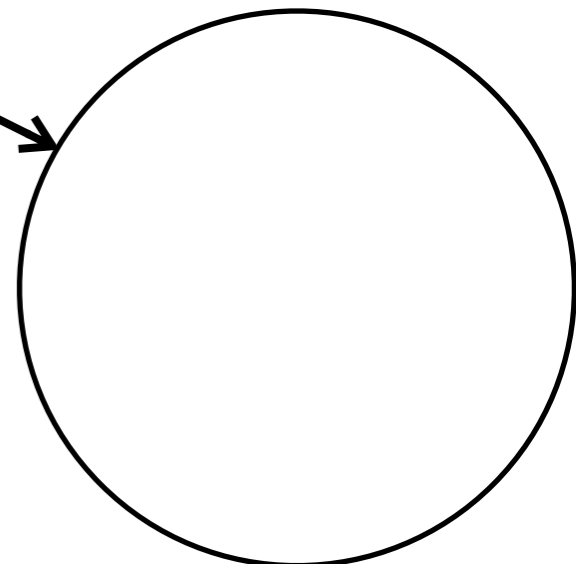
$$I(p_4)=1$$



$$I(p_2)=3$$



$$I(p_5)=4$$



$$I = [2 \ 3 \ 0 \ 1 \ 4 \ \dots]$$

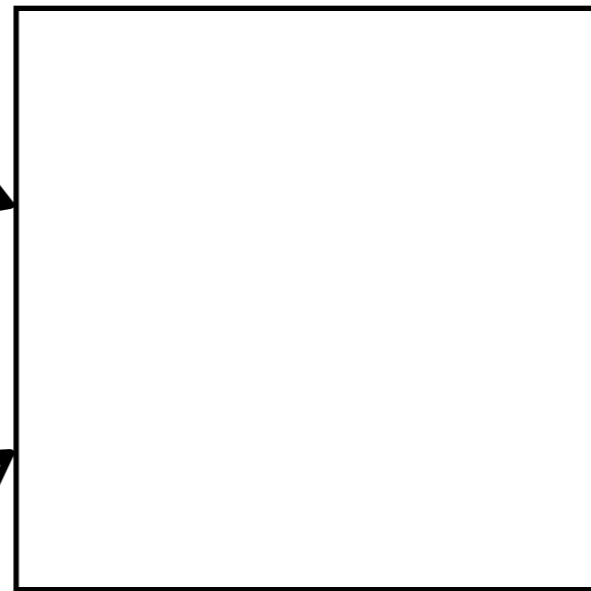
Intuition: tokens

as coins

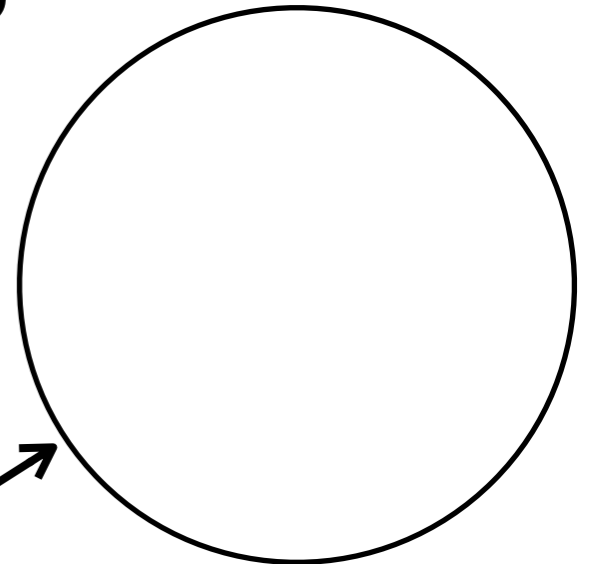
$I(p_1) = 10\text{¢}$



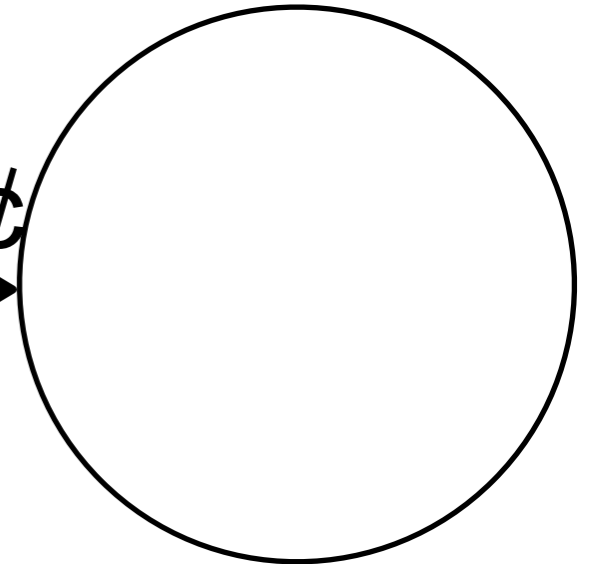
$I(p_2) = 50\text{¢}$



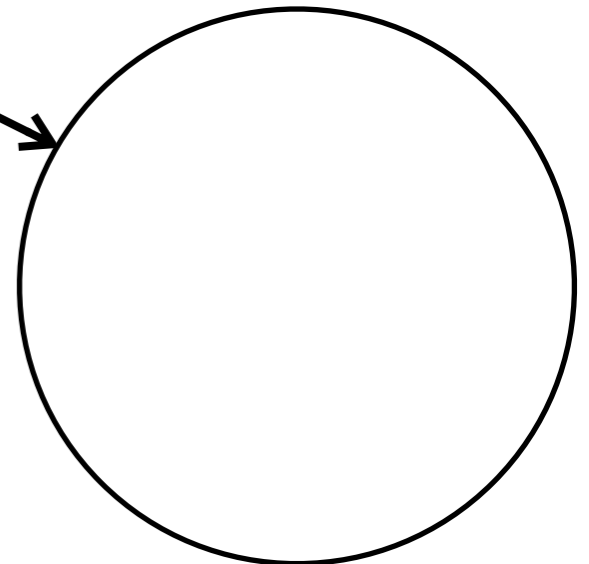
$I(p_3) = 20\text{¢}$



$I(p_4) = 20\text{¢}$



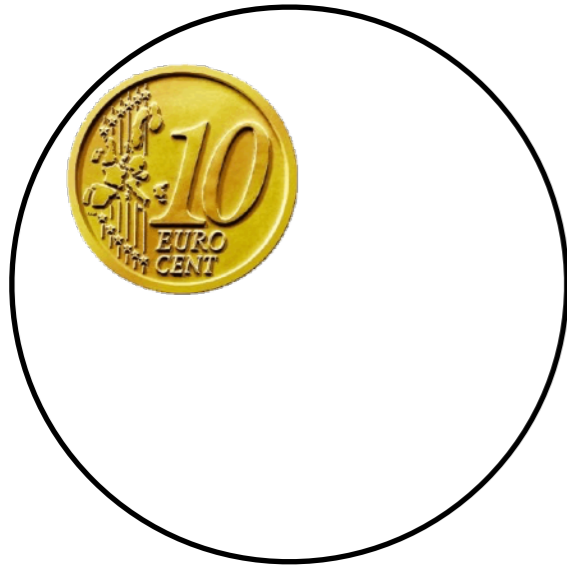
$I(p_5) = 20\text{¢}$



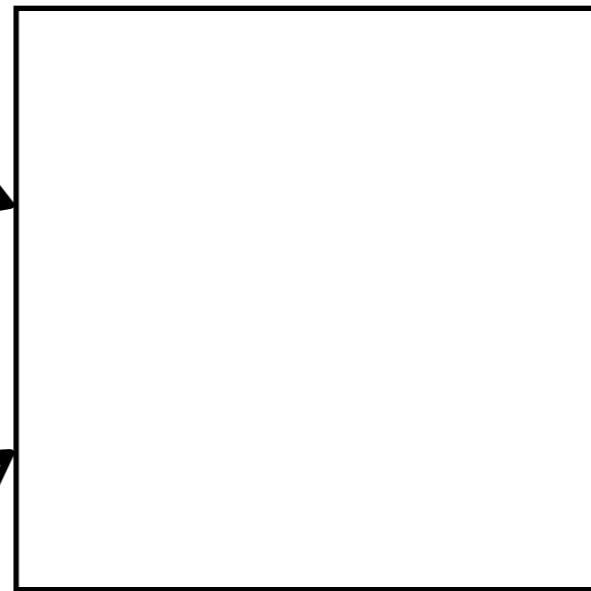
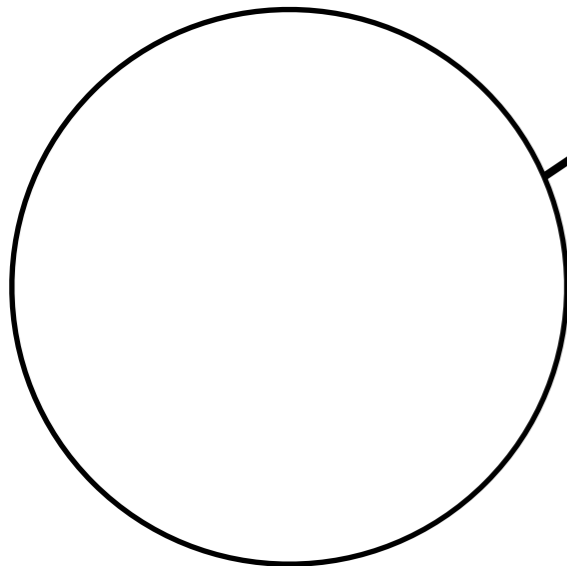
Intuition: tokens

as coins

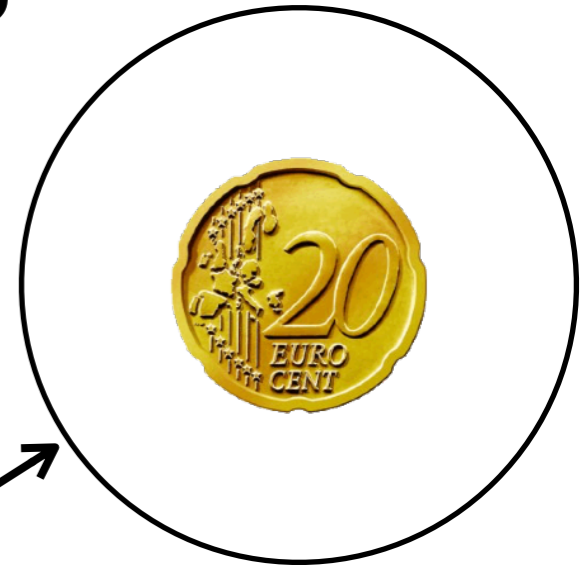
$I(p_1) = 10\text{¢}$



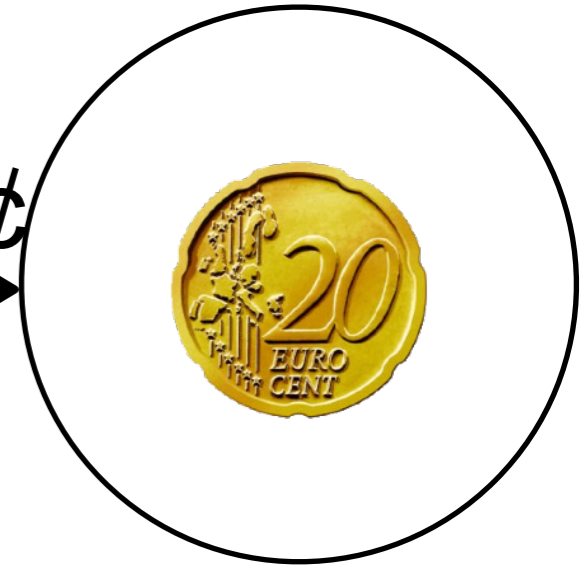
$I(p_2) = 50\text{¢}$



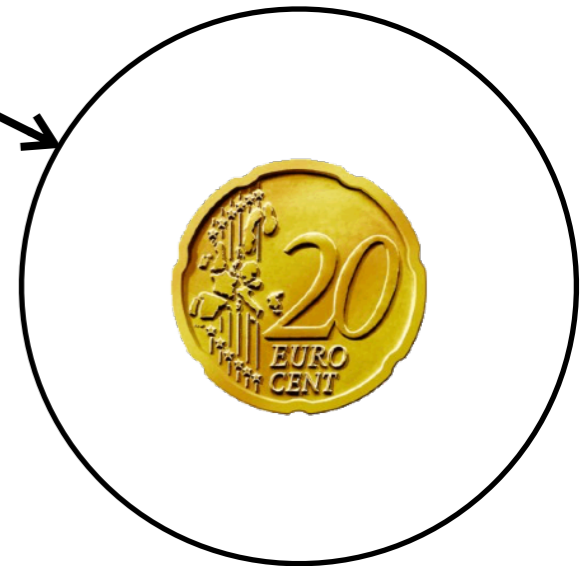
$I(p_3) = 20\text{¢}$



$I(p_4) = 20\text{¢}$



$I(p_5) = 20\text{¢}$



Linear combination

Proposition:

Any linear combination of S-invariants is an S-invariant

Take any two S-Invariants \mathbf{I}_1 and \mathbf{I}_2 and any two values k_1, k_2 . We want to prove that $k_1 \mathbf{I}_1 + k_2 \mathbf{I}_2$ is an S-invariant.

$$\begin{aligned}(k_1 \mathbf{I}_1 + k_2 \mathbf{I}_2) \cdot \mathbf{N} &= k_1 \mathbf{I}_1 \cdot \mathbf{N} + k_2 \mathbf{I}_2 \cdot \mathbf{N} \\ &= k_1 \mathbf{0} + k_2 \mathbf{0} \\ &= \mathbf{0}\end{aligned}$$

Alternative definition of S -invariant

Proposition:

A mapping $\mathbf{I} : P \rightarrow \mathbb{Q}$ is an S -invariant of N iff for any $t \in T$:

$$\sum_{p \in \bullet t} \mathbf{I}(p) = \sum_{p \in t \bullet} \mathbf{I}(p)$$

Exercise

Prove the proposition about the alternative characterization of S -invariants

Consequence of alternative definition

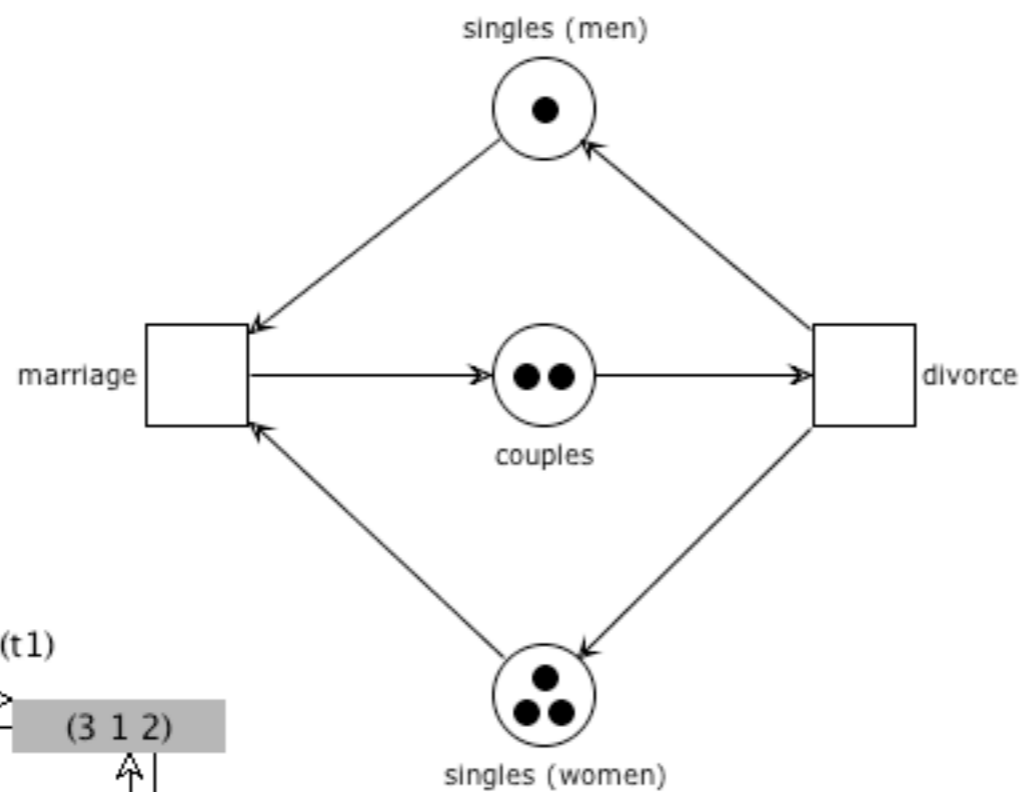
Very useful in proving S-invariance!

The check is possible without constructing
the incidence matrix

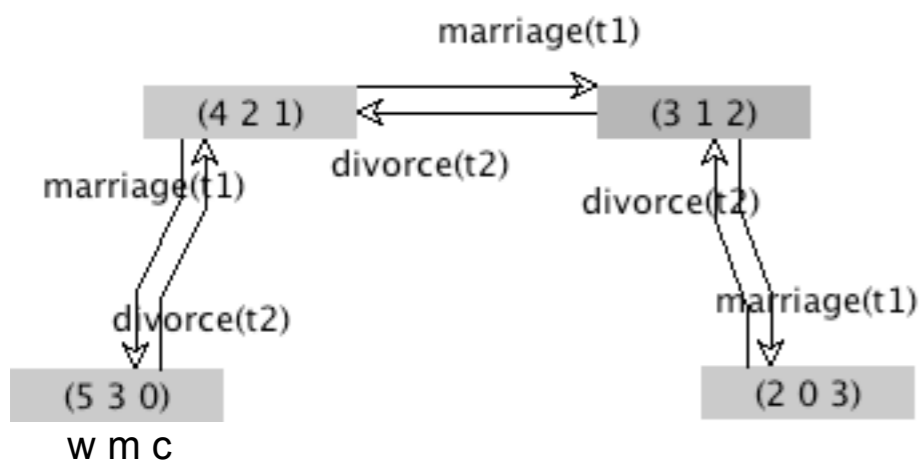
It can also help to build S-invariants
directly over the picture

Question time

Which of the following are S-invariants?



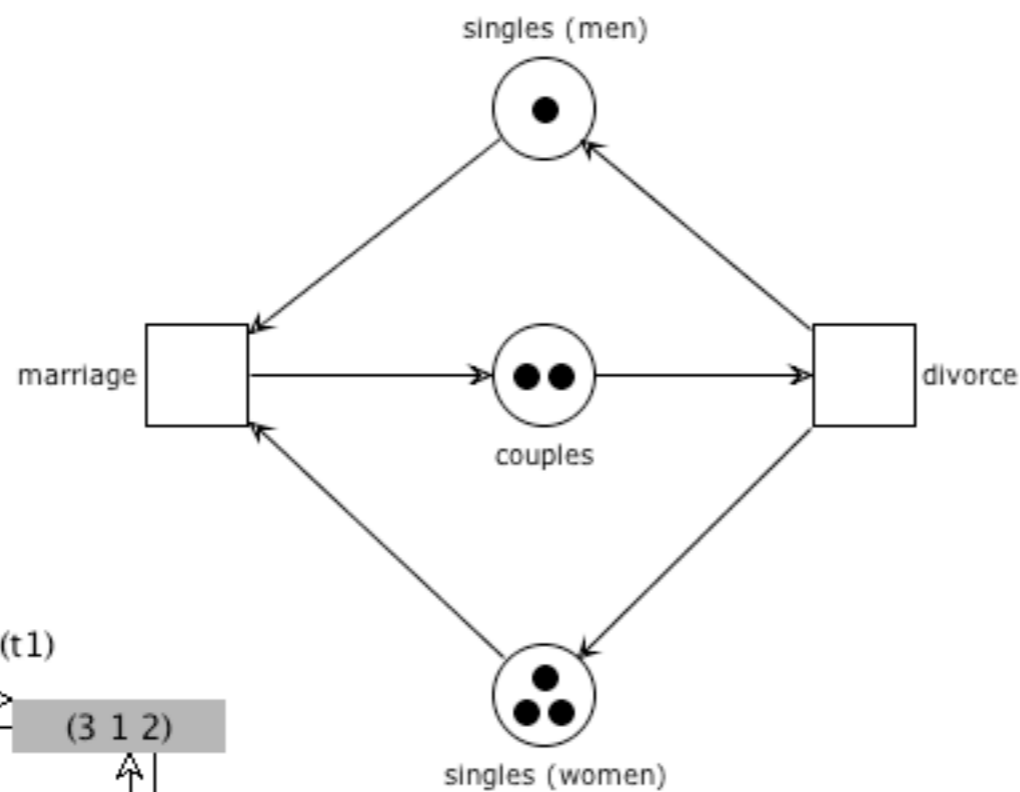
	m	w	c
[1 1 -1]	1	1	-1
[1 0 1]	1	0	1
[0 1 1]	0	1	1
[1 1 1]	1	1	1
[1 -1 0]	1	-1	0
[1 1 2]	1	1	2
[1 2 2]	1	2	2



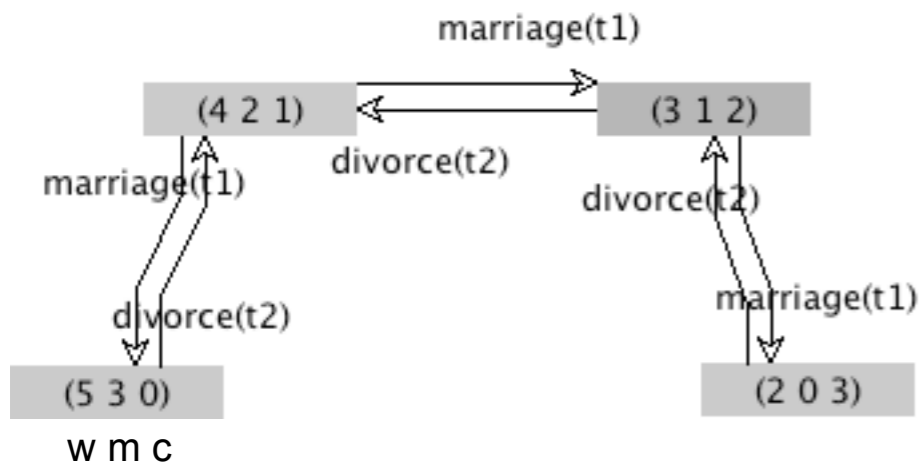
$$\forall t \in T, \sum_{p \in \bullet t} \mathbf{I}(p) \stackrel{?}{=} \sum_{p \in t \bullet} \mathbf{I}(p)$$

Question time

Which of the following are S-invariants?



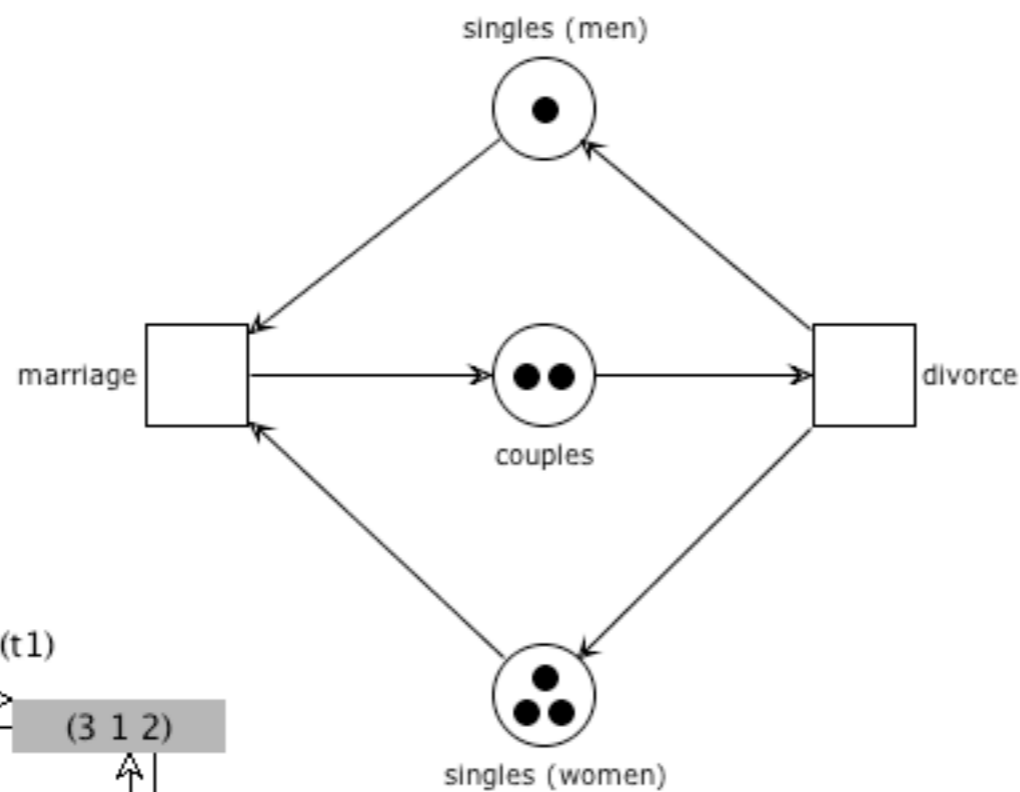
	m	w	c
$[\quad]$	1	1	-1
$[\quad]$	1	0	1
$[\quad]$	0	1	1
$[\quad]$	1	1	1
$[\quad]$	1	-1	0
$[\quad]$	1	1	2
$[\quad]$	1	2	2



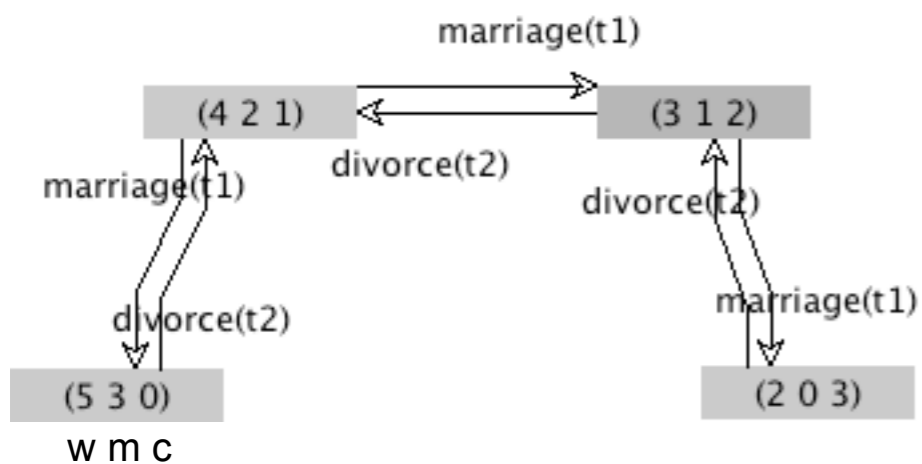
$$\forall t \in T, \sum_{p \in \bullet t} \mathbf{I}(p) \stackrel{?}{=} \sum_{p \in t \bullet} \mathbf{I}(p)$$

Question time

Which of the following are S-invariants?



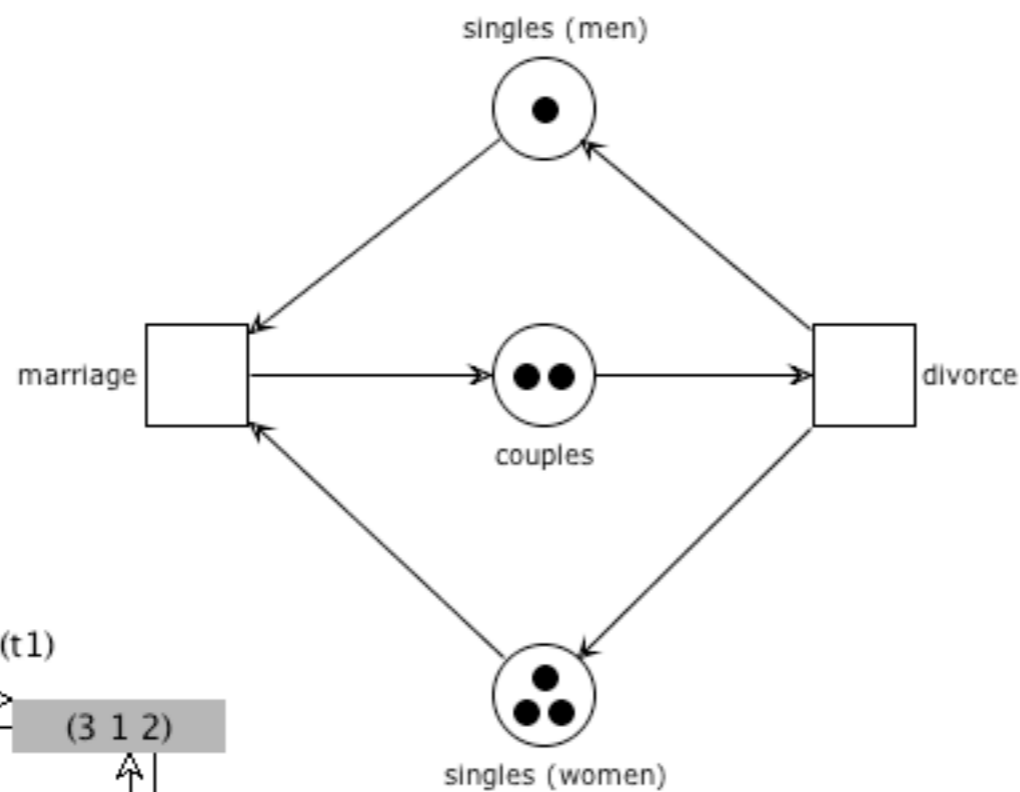
	m	w	c
$[\quad]$	1	1	-1
$[\quad]$	1	0	1
$[\quad]$	0	1	1
$[\quad]$	1	1	1
$[\quad]$	1	-1	0
$[\quad]$	1	1	2
$[\quad]$	1	2	2



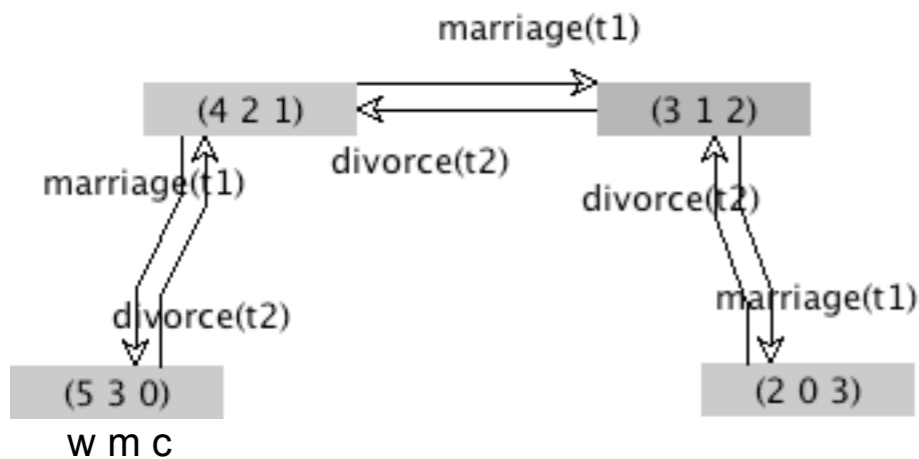
$$\forall t \in T, \sum_{p \in \bullet t} \mathbf{I}(p) \stackrel{?}{=} \sum_{p \in t \bullet} \mathbf{I}(p)$$

Question time

Which of the following are S-invariants?



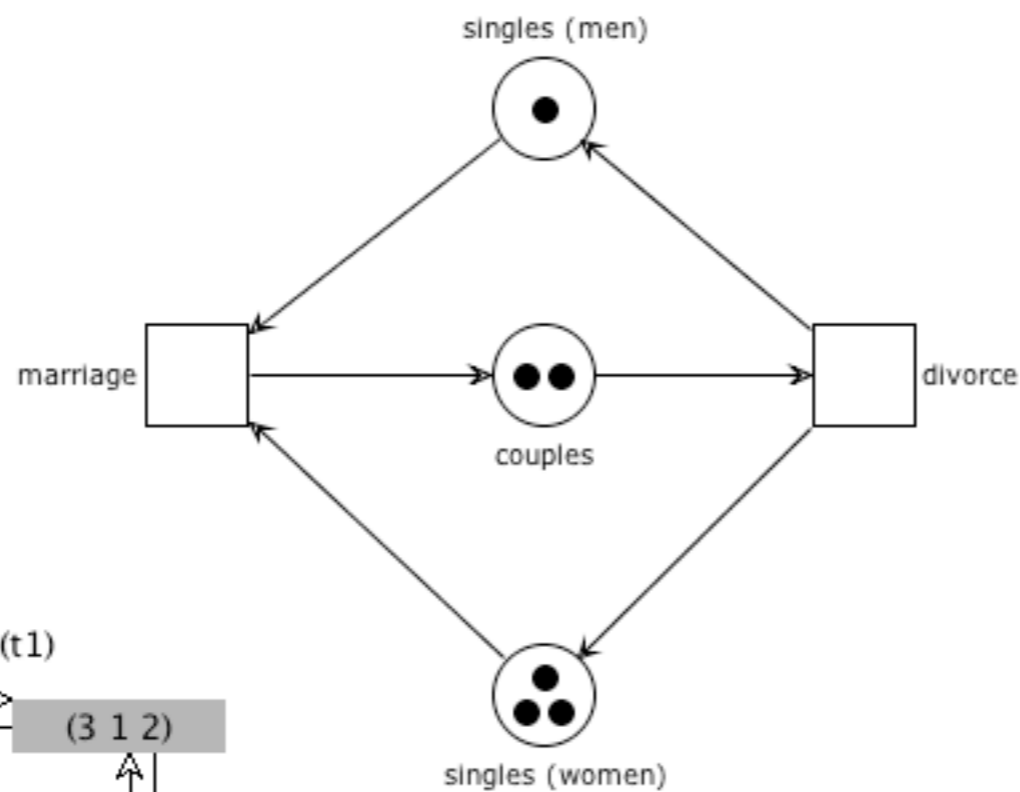
	m	w	c
$[\quad]$	1	1	-1
$[\quad]$	1	0	1
$[\quad]$	0	1	1
$[\quad]$	1	1	1
$[\quad]$	1	-1	0
$[\quad]$	1	1	2
$[\quad]$	1	2	2



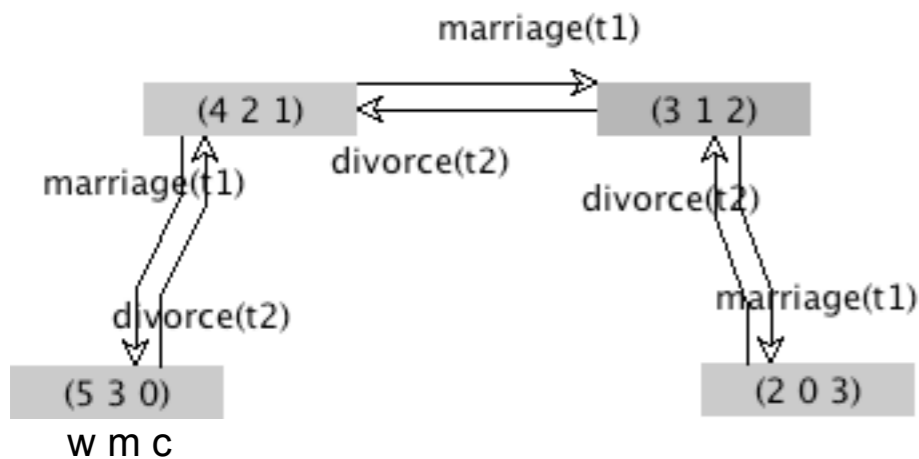
$$\forall t \in T, \sum_{p \in \bullet t} \mathbf{I}(p) \stackrel{?}{=} \sum_{p \in t \bullet} \mathbf{I}(p)$$

Question time

Which of the following are S-invariants?



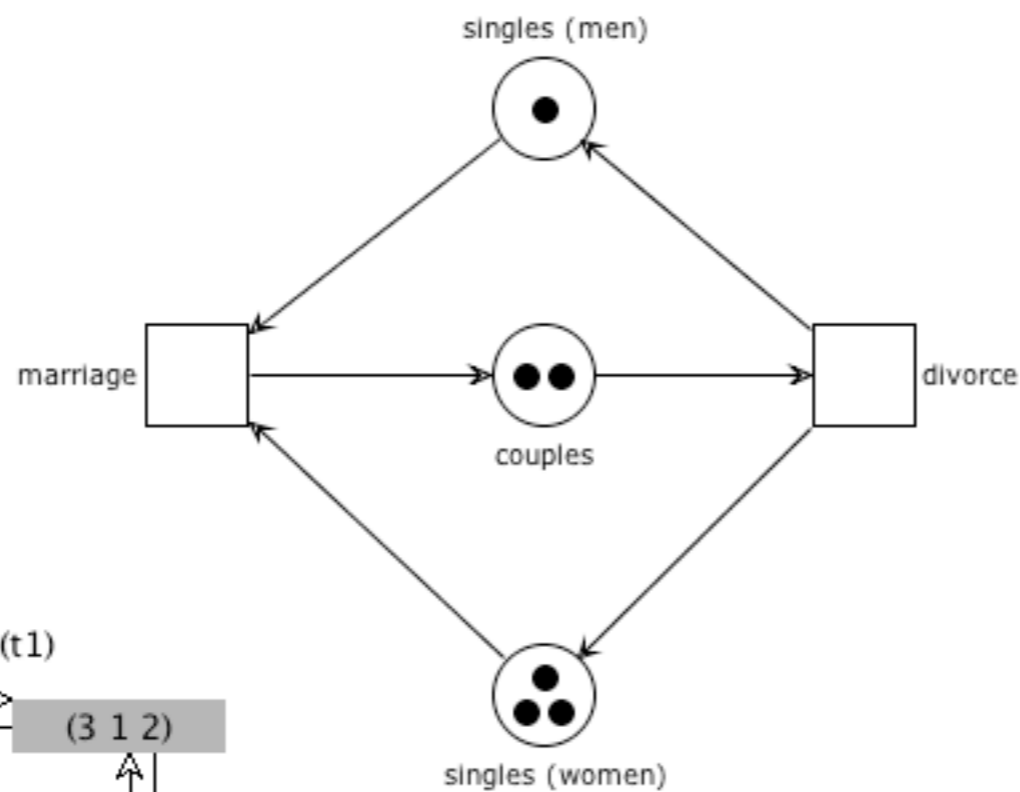
	m	w	c
$[\quad]$	1	1	-1
$[\quad]$	1	0	1
$[\quad]$	0	1	1
$[\quad]$	1	1	1
$[\quad]$	1	-1	0
$[\quad]$	1	1	2
$[\quad]$	1	2	2



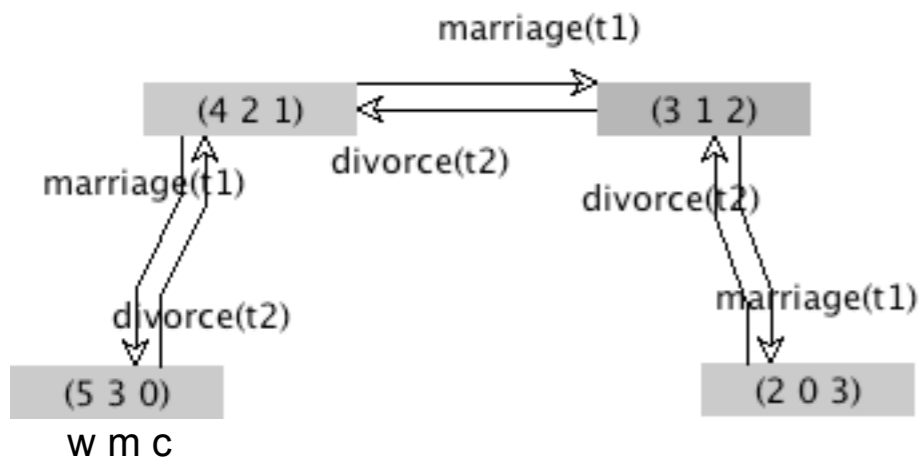
$$\forall t \in T, \sum_{p \in \bullet t} \mathbf{I}(p) \stackrel{?}{=} \sum_{p \in t \bullet} \mathbf{I}(p)$$

Question time

Which of the following are S-invariants?



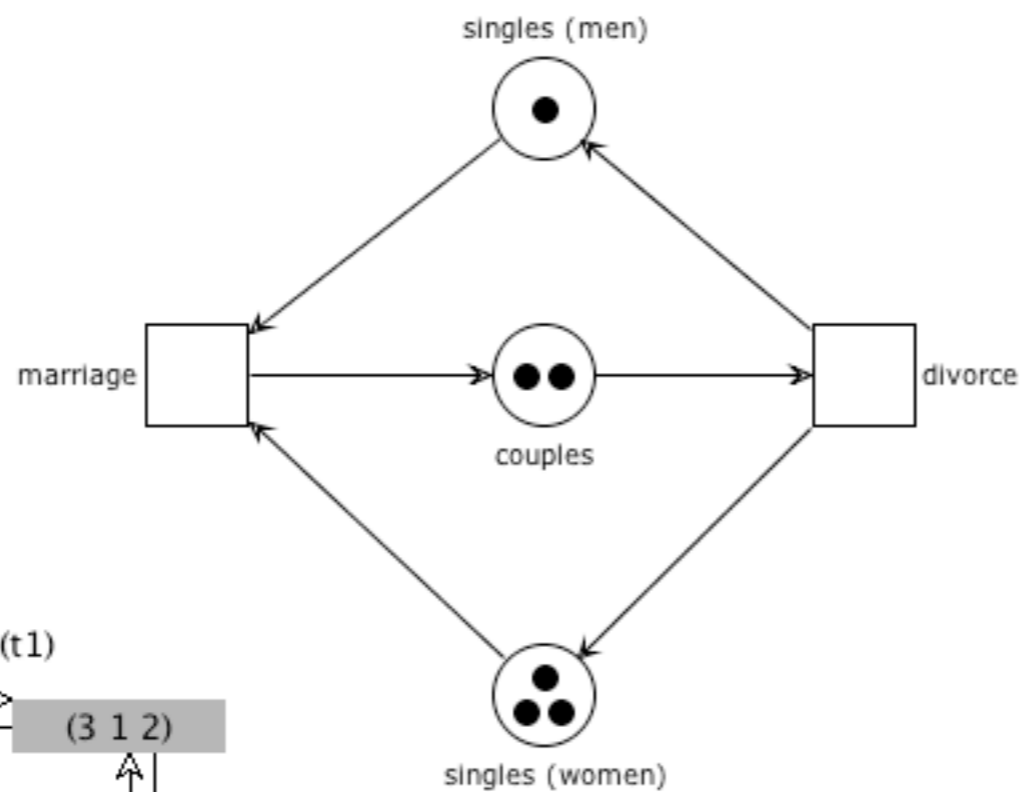
	m	w	c
$[\quad]$	1	1	-1
$[\quad]$	1	0	1
$[\quad]$	0	1	1
$[\quad]$	1	1	1
$[\quad]$	1	-1	0
$[\quad]$	1	1	2
$[\quad]$	1	2	2



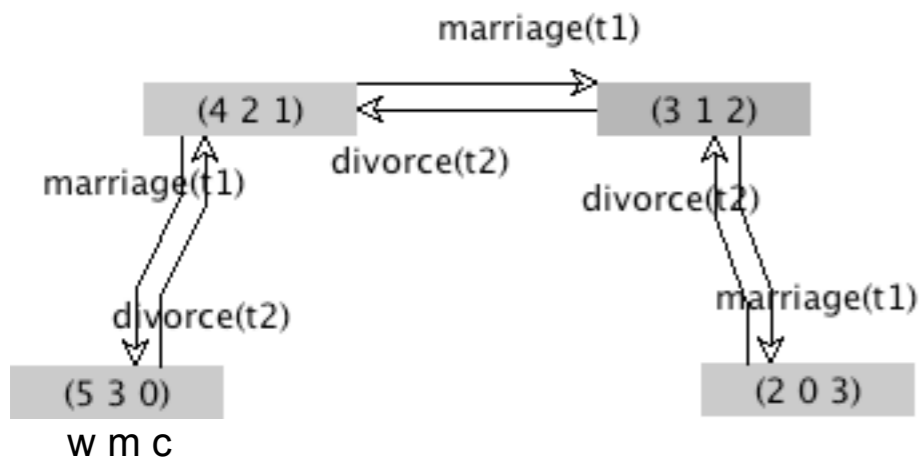
$$\forall t \in T, \sum_{p \in \bullet t} \mathbf{I}(p) \stackrel{?}{=} \sum_{p \in t \bullet} \mathbf{I}(p)$$

Question time

Which of the following are S-invariants?



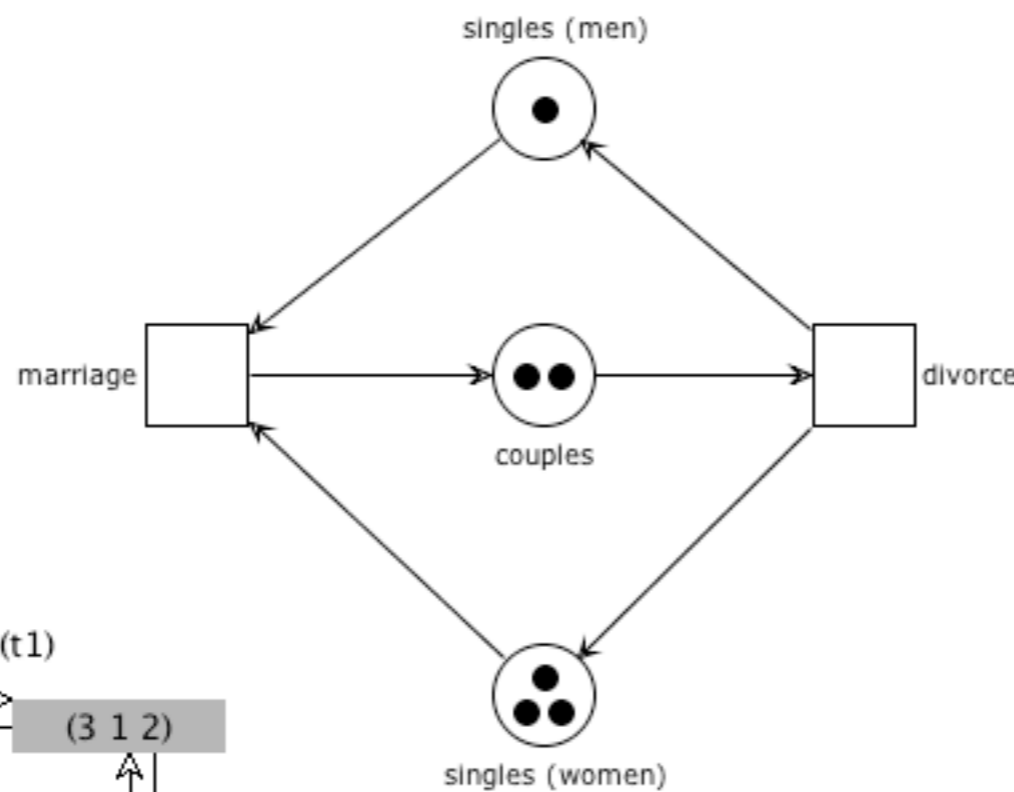
	m	w	c
	1	1	-1
	1	0	1
	0	1	1
	1	1	1
	1	-1	0
	1	1	2
	1	2	2



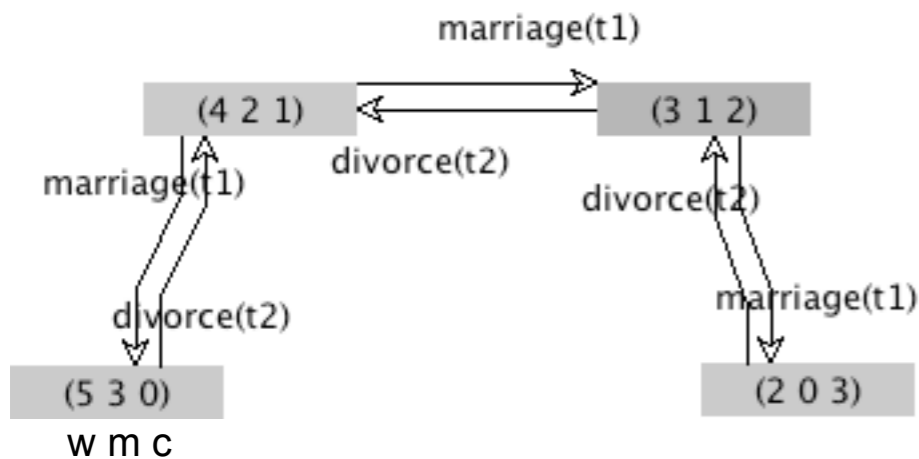
$$\forall t \in T, \sum_{p \in \bullet t} \mathbf{I}(p) \stackrel{?}{=} \sum_{p \in t \bullet} \mathbf{I}(p)$$

Question time

Which of the following are S-invariants?



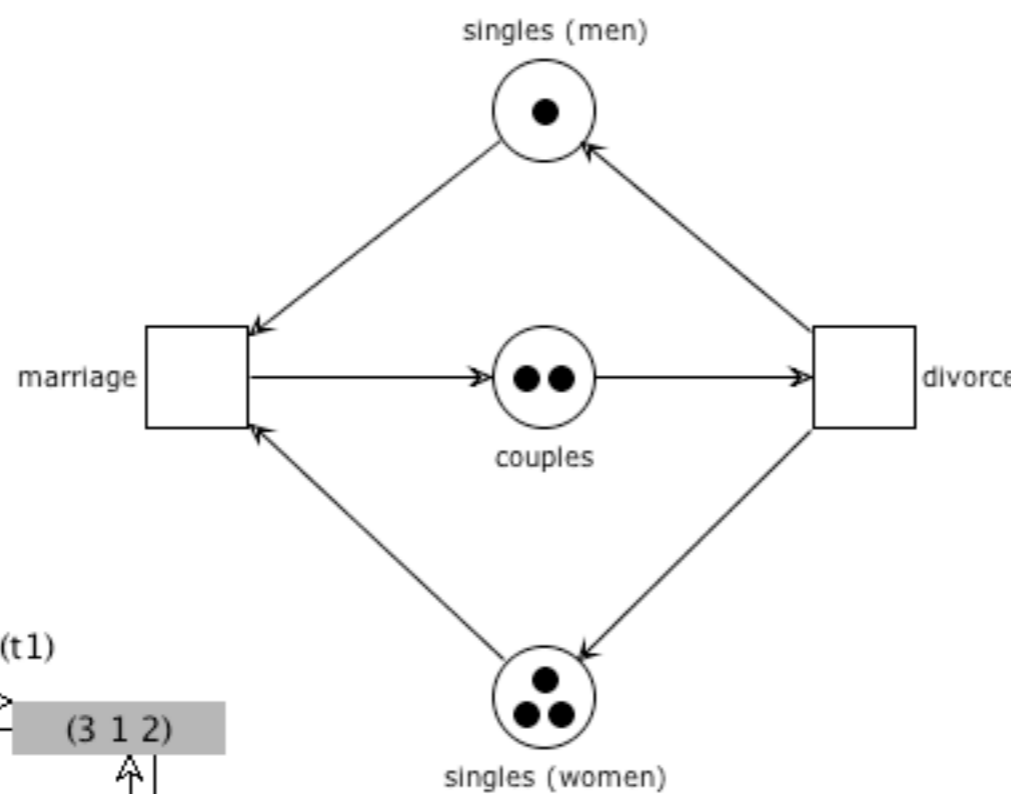
	m	w	c
$[$	1	1	-1
$]$	1	0	1
$[$	0	1	1
$]$	1	1	1
$[$	1	-1	0
$]$	1	1	2
$[$	1	2	2
$]$			



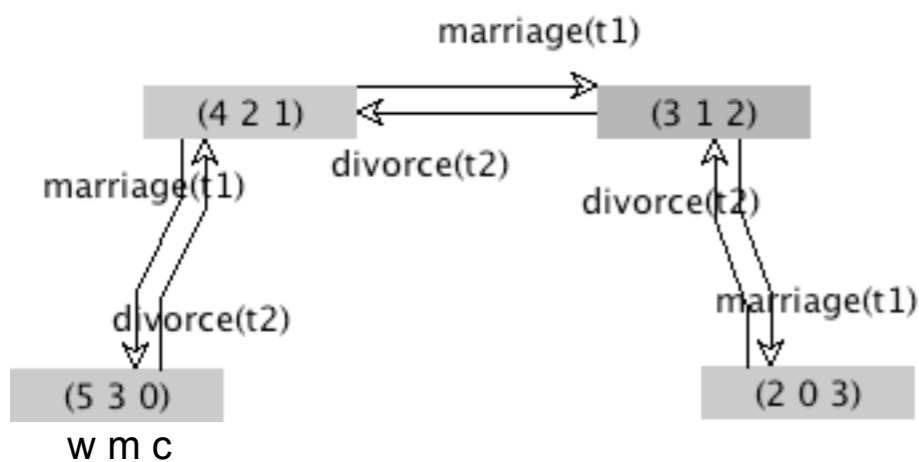
$$\forall t \in T, \sum_{p \in \bullet t} \mathbf{I}(p) \stackrel{?}{=} \sum_{p \in t \bullet} \mathbf{I}(p)$$

Question time

Which of the following are S-invariants?



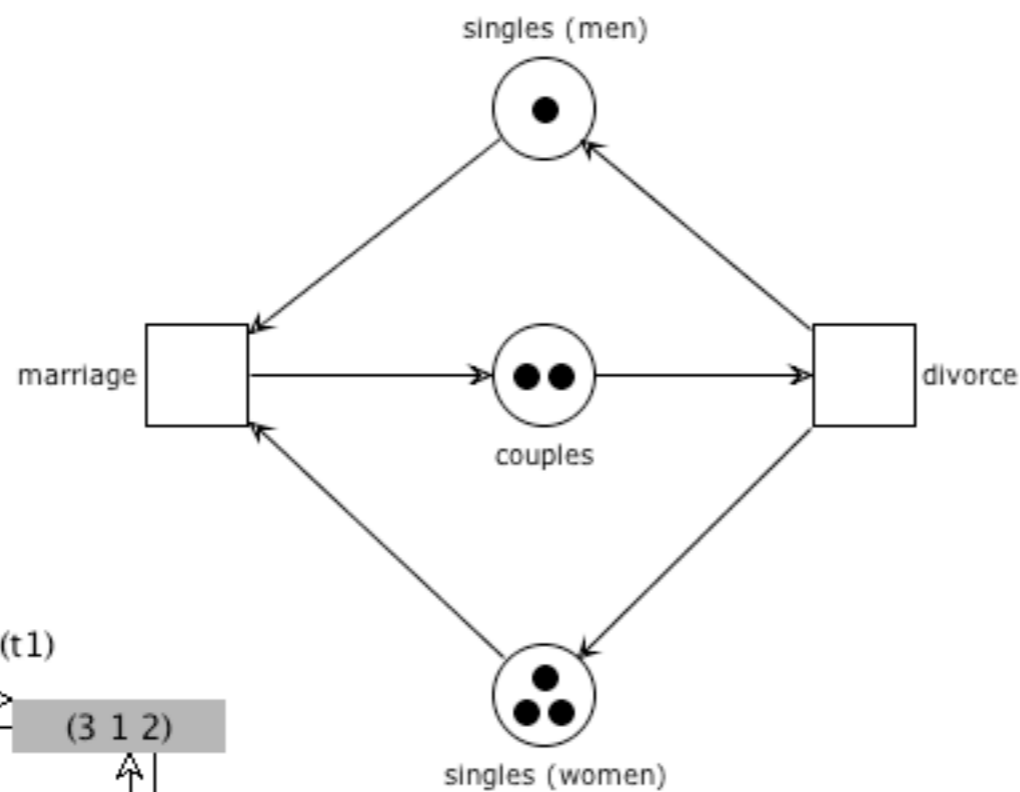
$$\begin{array}{c}
 \begin{matrix} m & w & c \end{matrix} \\
 \begin{bmatrix} 1 & 1 & -1 \\ 1 & 0 & 1 \\ 0 & 1 & 1 \\ 1 & 1 & 1 \\ 1 & -1 & 0 \end{bmatrix} \\
 + \\
 \begin{bmatrix} 1 & 1 & 1 \\ 1 & -1 & 0 \end{bmatrix} \\
 = \\
 \begin{bmatrix} 1 & 1 & 2 \\ 1 & 2 & 2 \end{bmatrix}
 \end{array}$$



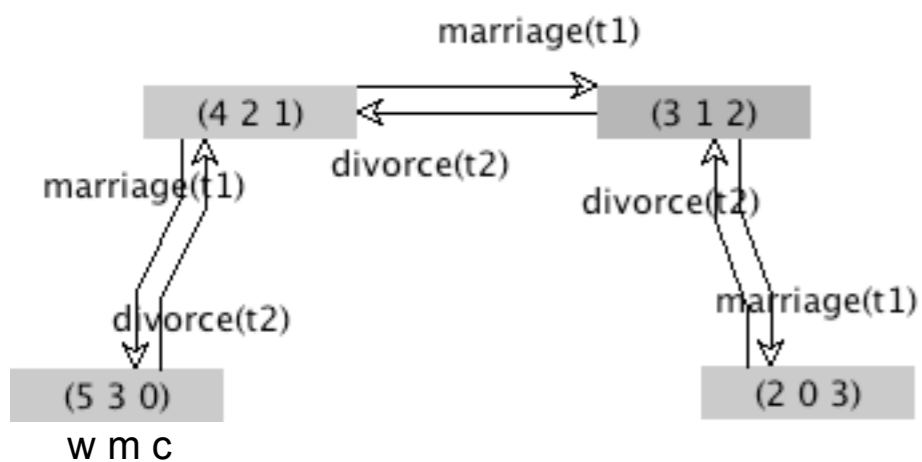
$$\forall t \in T, \sum_{p \in \bullet t} \mathbf{I}(p) \stackrel{?}{=} \sum_{p \in t \bullet} \mathbf{I}(p)$$

Question time

Which of the following are S-invariants?

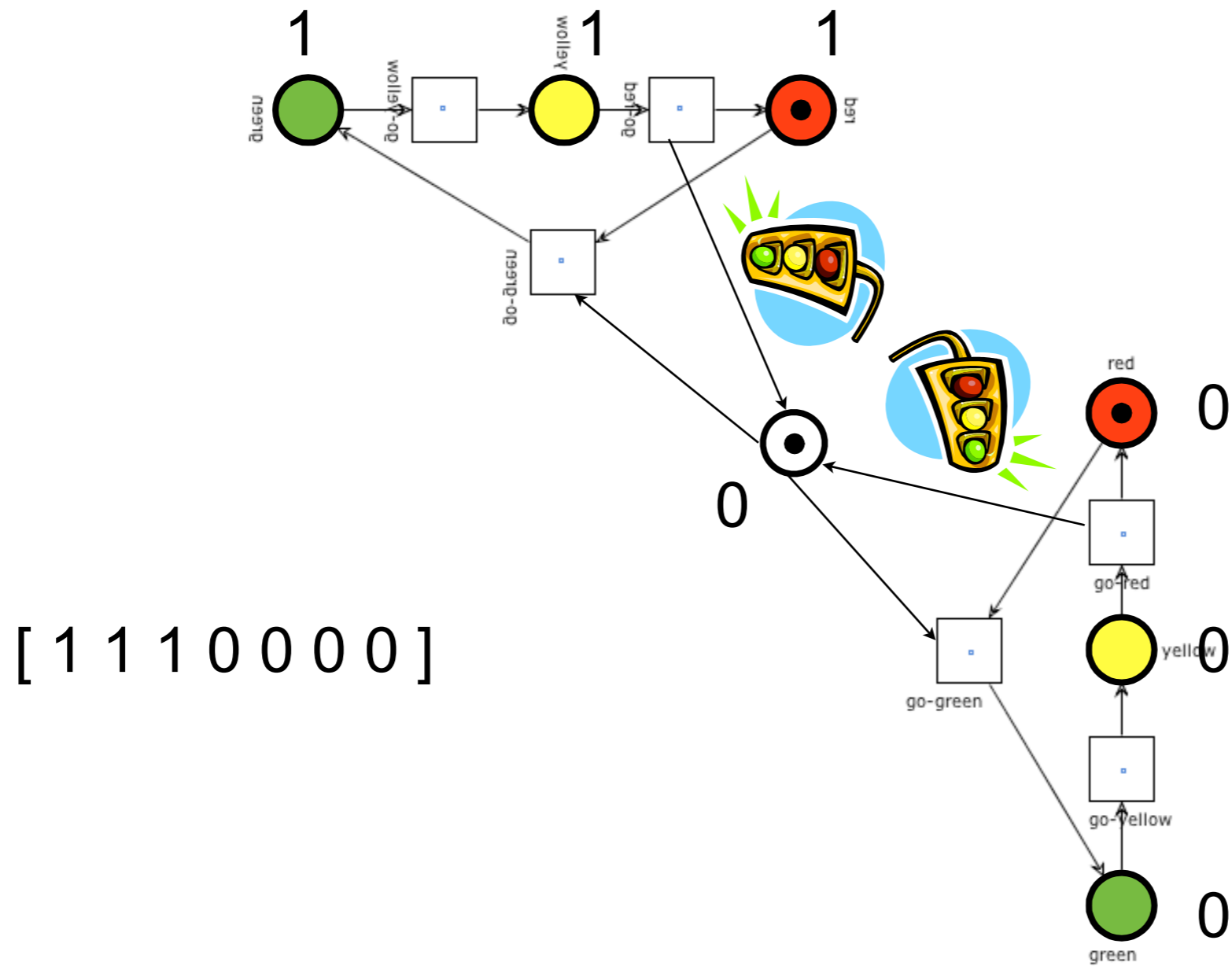


	m	w	c
	[1	1	-1]
	[1	0	1]
-	[0	1	1]
	[1	1	1]
=	[1	-1	0]
	[1	1	2]
	[1	2	2]

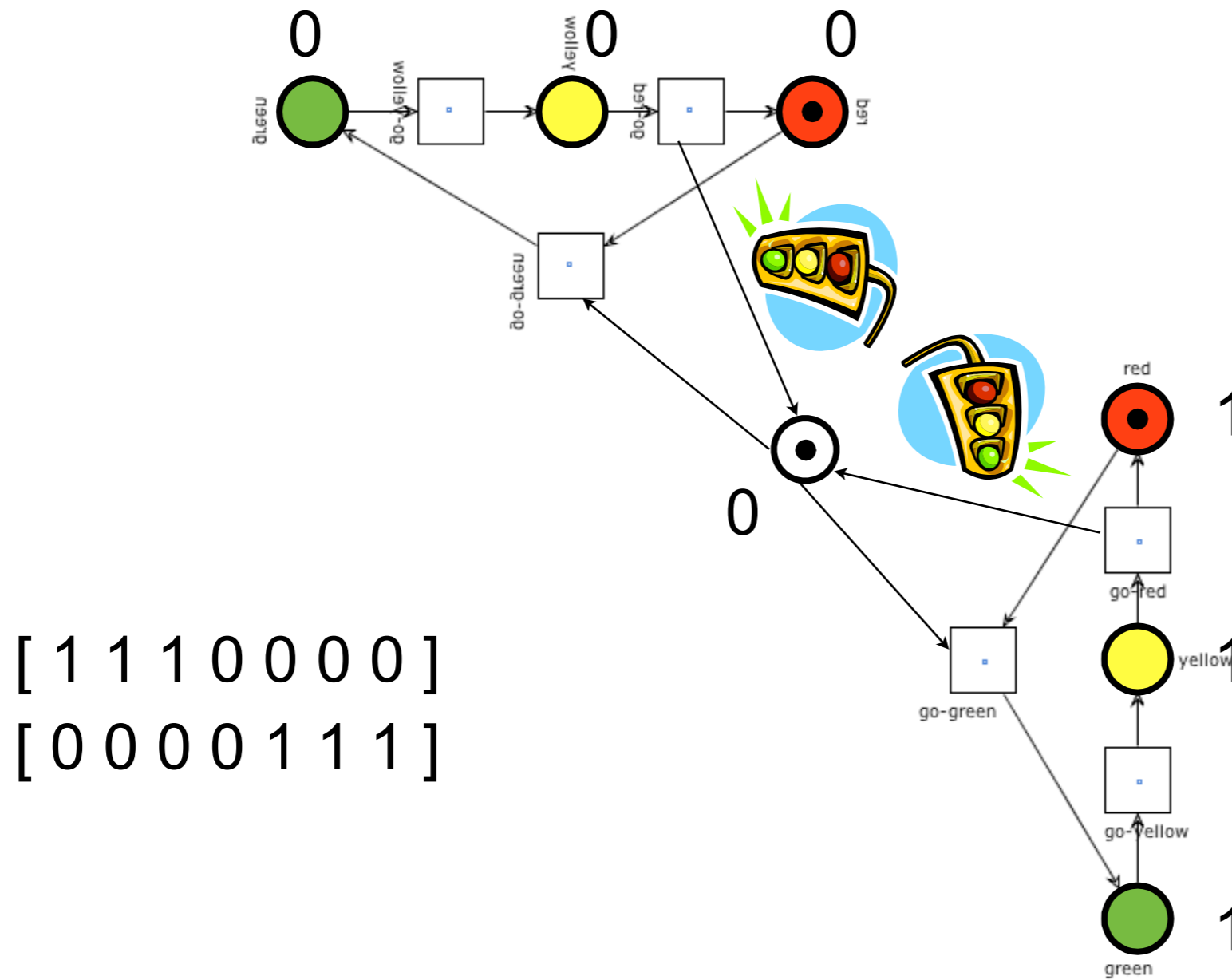


$$\forall t \in T, \sum_{p \in \bullet t} \mathbf{I}(p) \stackrel{?}{=} \sum_{p \in t \bullet} \mathbf{I}(p)$$

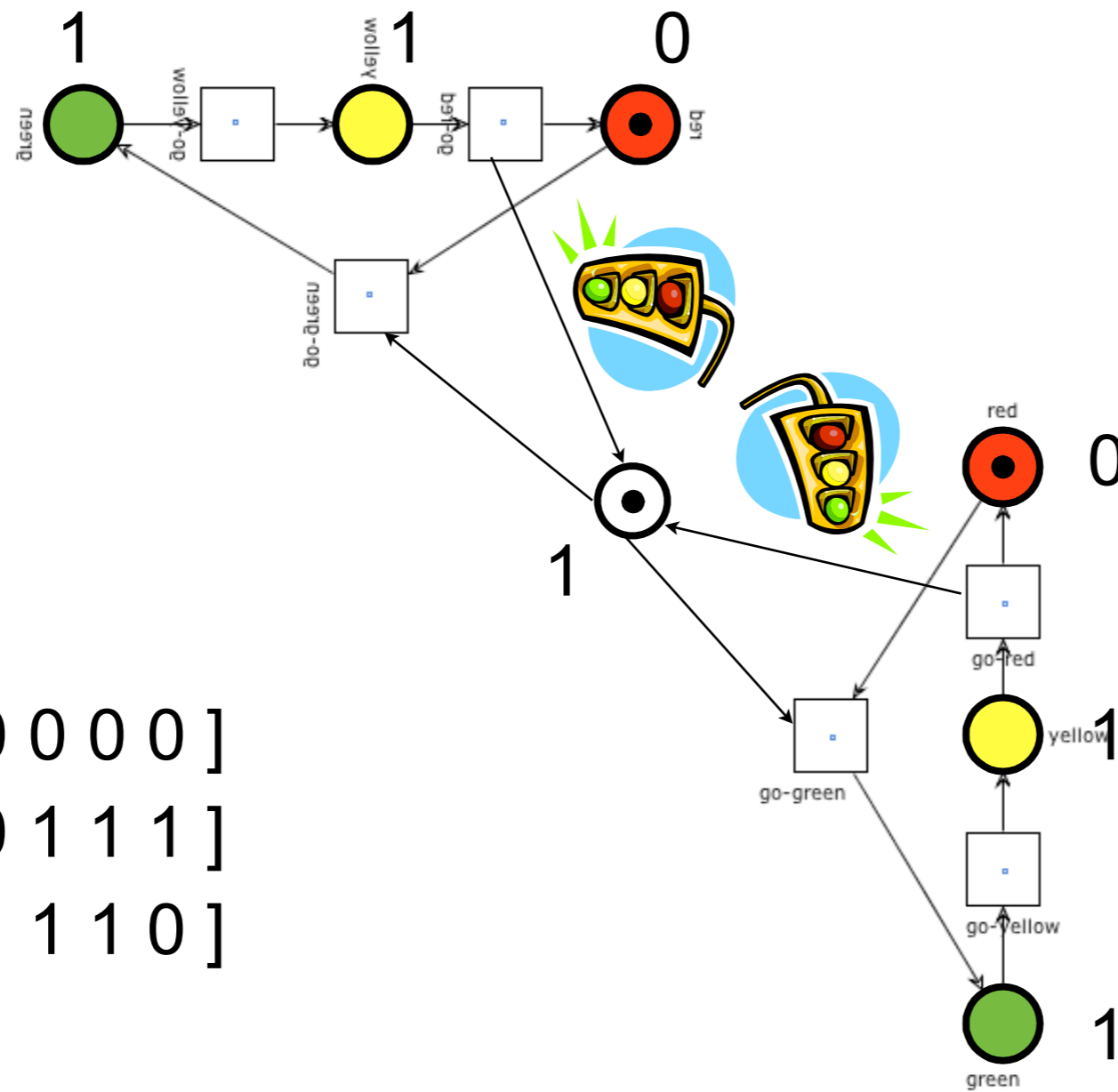
Traffic-lights example



Traffic-lights example

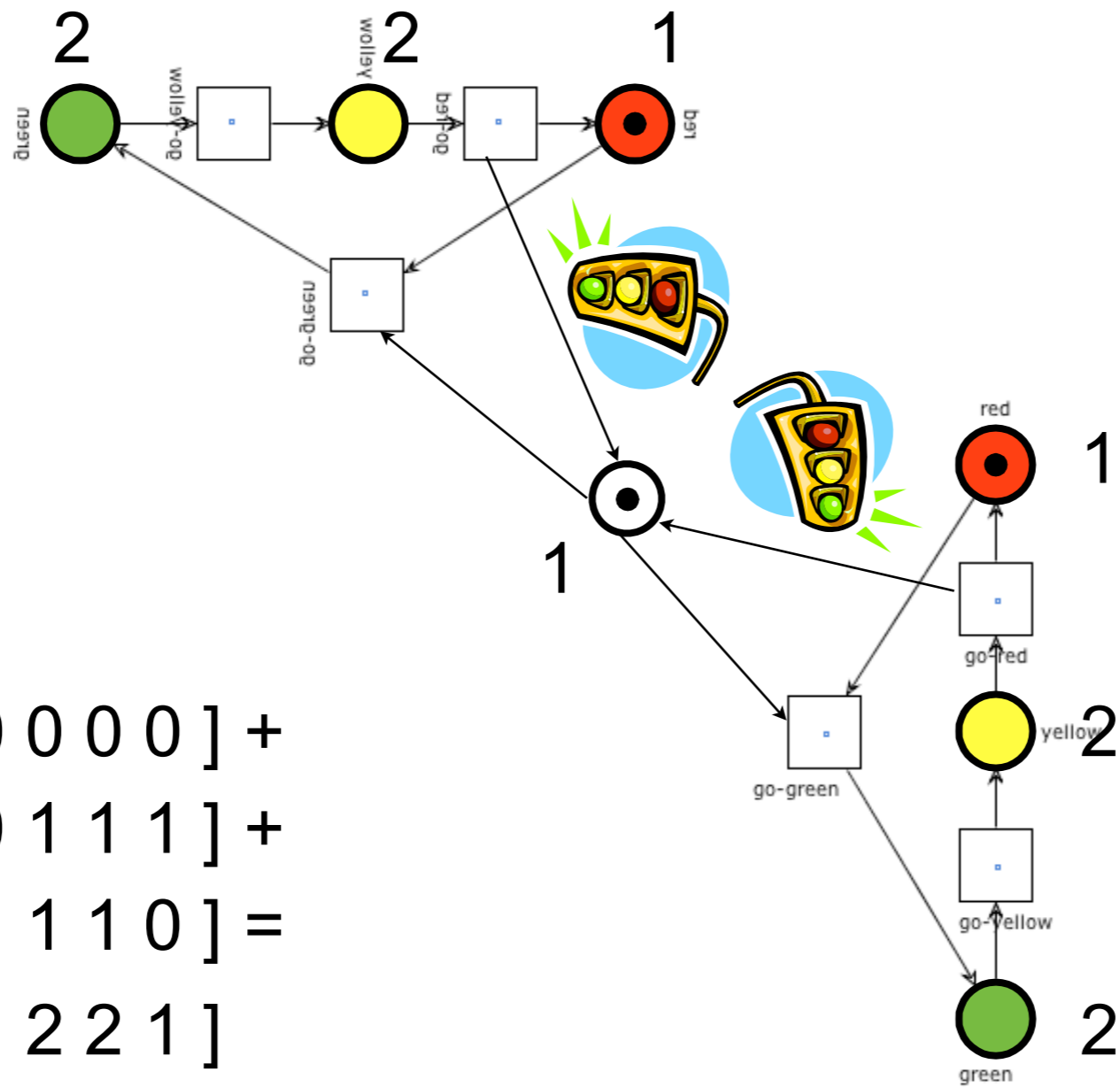


Traffic-lights example



```
[ 1 1 1 0 0 0 0 ]
[ 0 0 0 0 1 1 1 ]
[ 1 1 0 1 1 1 0 ]
```

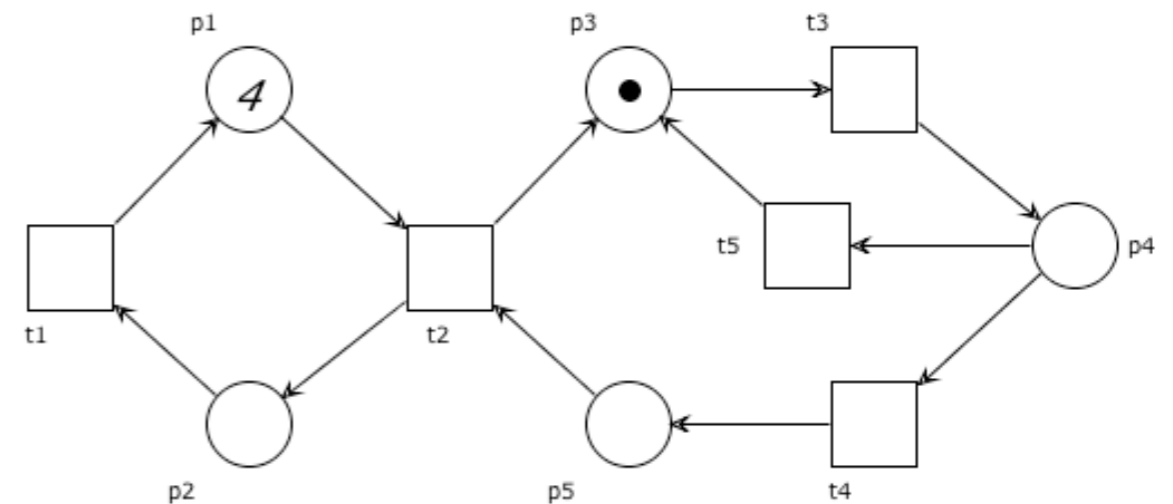
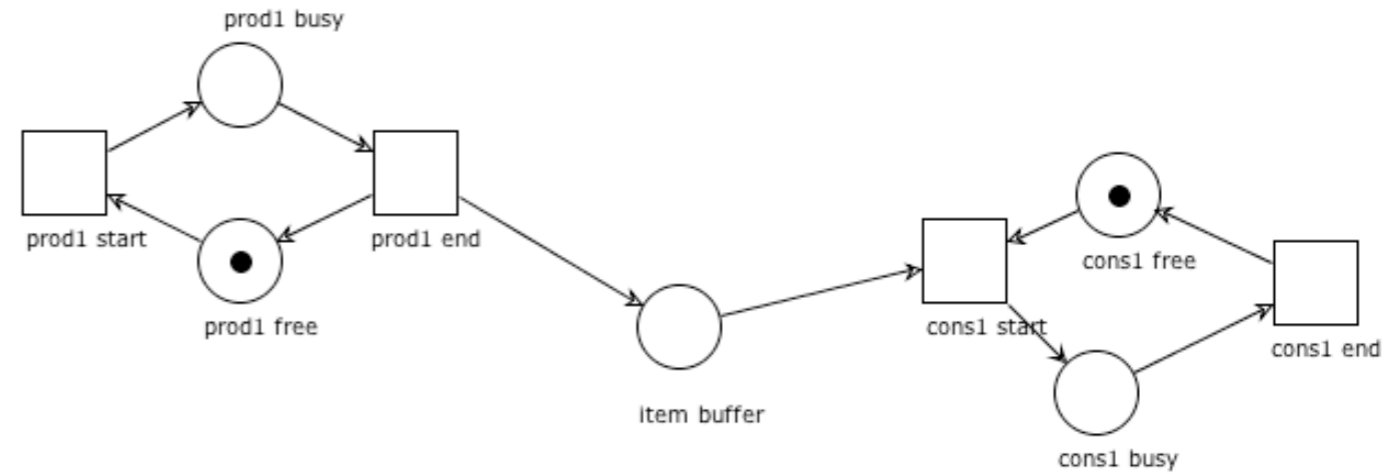
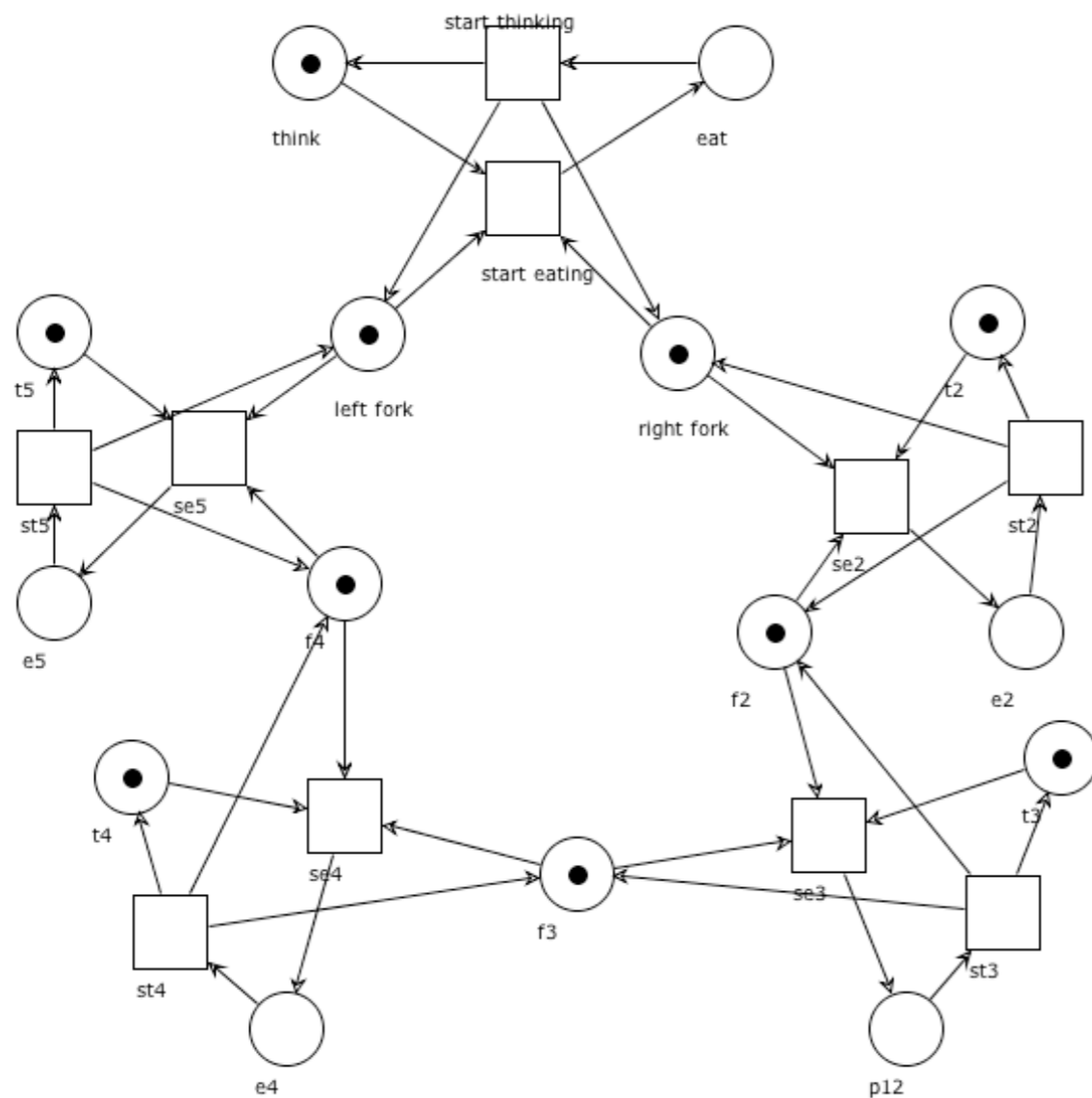
Traffic-lights example



$$\begin{aligned}
 & [1\ 1\ 1\ 0\ 0\ 0\ 0] + \\
 & [0\ 0\ 0\ 0\ 1\ 1\ 1] + \\
 & [1\ 1\ 0\ 1\ 1\ 1\ 0] = \\
 & [2\ 2\ 1\ 1\ 2\ 2\ 1]
 \end{aligned}$$

Exercises

Define two (linearly independent) S-invariants for each of the nets below



S-invariants and system properties

Semi-positive S-invariants

The S-invariant \mathbf{I} is **semi-positive** if $\mathbf{I} > \mathbf{0}$
(i.e. $\mathbf{I} \geq \mathbf{0}$ and $\mathbf{I} \neq \mathbf{0}$)

all entries are non-negative
and at least one is positive

The **support** of \mathbf{I} is: $\langle \mathbf{I} \rangle = \{ p \mid \mathbf{I}(p) > 0 \}$

The S-invariant \mathbf{I} is **positive** if $\mathbf{I} \succ \mathbf{0}$ all entries are positive
(i.e. $\mathbf{I}(p) > 0$ for any place $p \in P$)
(i.e. $\langle \mathbf{I} \rangle = P$)

A (semi-positive) S-invariant whose coefficients are all 0 and 1 is called **uniform**

Note

Notation: $\bullet S = \bigcup_{s \in S} \bullet s$

Every semi-positive invariant
satisfies the equation

transitions that produce tokens
in some places of the support

$$\bullet \langle \mathbf{I} \rangle = \langle \mathbf{I} \rangle \bullet$$

transitions that consume tokens
from some places of the support

pre-sets of support equal post-sets of support

(the result holds for both S-invariants and T-invariants)

A sufficient condition for boundedness

Theorem:

If (P, T, F, M_0) has a positive S-invariant then it is bounded

Let $M \in [M_0 \rangle$ and let \mathbf{I} be a positive S-invariant.

Let $p \in P$. Then $\mathbf{I}(p)M(p) \leq \mathbf{I} \cdot M = \mathbf{I} \cdot M_0$

Since \mathbf{I} is positive, we can divide by $\mathbf{I}(p)$:

$$M(p) \leq (\mathbf{I} \cdot M_0) / \mathbf{I}(p)$$

$$\mathbf{I} \cdot M = \sum_{q \in P} \mathbf{I}(q)M(q)$$

Consequences of previous theorem

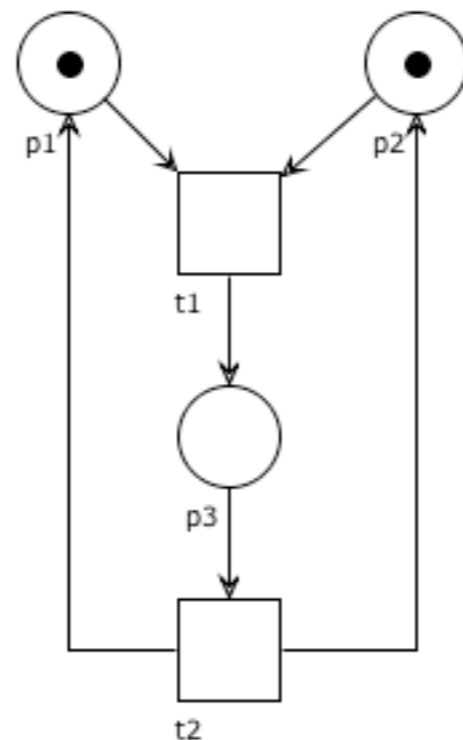
By exhibiting a positive S-invariant we can prove that the system is **bounded for any initial marking**

Note that all places in the support of a semi-positive S-invariant are **bounded for any initial marking**

$$M(p) \leq \frac{\mathbf{I} \cdot M_0}{\mathbf{I}(p)} \quad \text{this value is independent from the reachable marking } M$$

Example

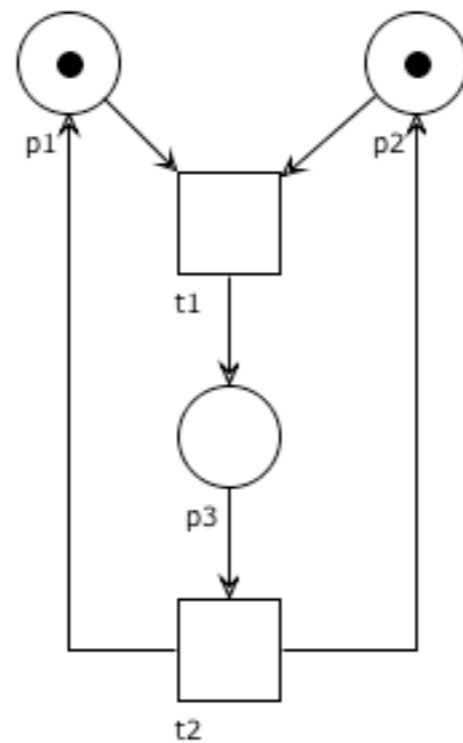
To prove that the system is bounded we can just exhibit a positive S-invariant



$$I = [1 \ 1 \ 2]$$

Example

How many tokens are at most in p_3 ?

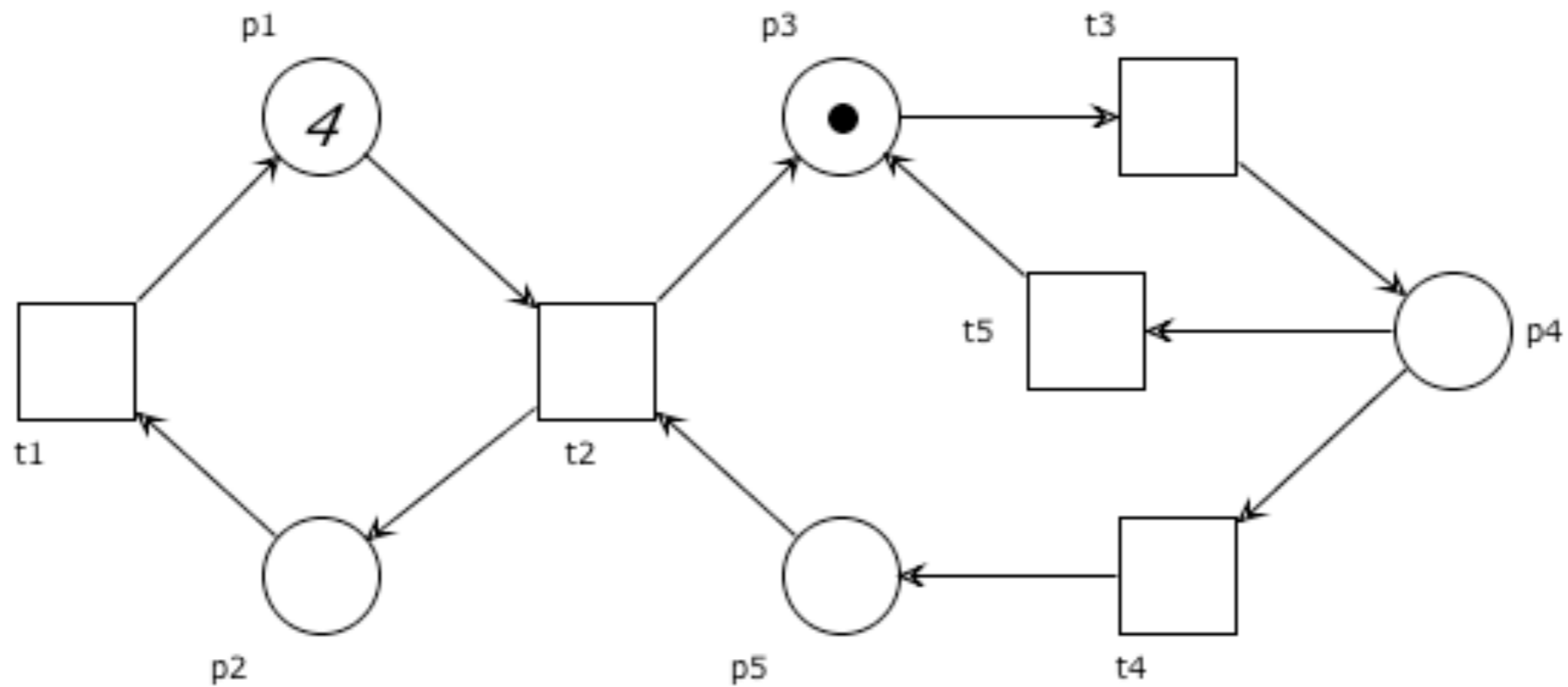


$$I = [1 \ 1 \ 2]$$

$$\frac{I \cdot M_0}{I(p_3)} = \frac{2}{2} = 1$$

Exercises

Find a positive S-invariant for the net below



A necessary condition for liveness

Theorem:

If (P, T, F, M_0) is live then for every semi-positive invariant \mathbf{I} :

$$\mathbf{I} \cdot M_0 > 0$$

Let $p \in \langle \mathbf{I} \rangle$ and take any $t \in \bullet p \cup p \bullet$.

By liveness, there are $M, M' \in [M_0 \rangle$ with $M \xrightarrow{t} M'$

Then, $M(p) > 0$ (if $t \in p \bullet$) or $M'(p) > 0$ (if $t \in \bullet p$)

If $M(p) > 0$, then $\mathbf{I} \cdot M \geq \mathbf{I}(p)M(p) > 0$

If $M'(p) > 0$, then $\mathbf{I} \cdot M' \geq \mathbf{I}(p)M'(p) > 0$

In any case, $\mathbf{I} \cdot M_0 = \mathbf{I} \cdot M = \mathbf{I} \cdot M' > 0$

$$\mathbf{I} \cdot M = \sum_{q \in P} \mathbf{I}(q)M(q)$$

Consequence of previous theorem

If we find a semi-positive invariant such that

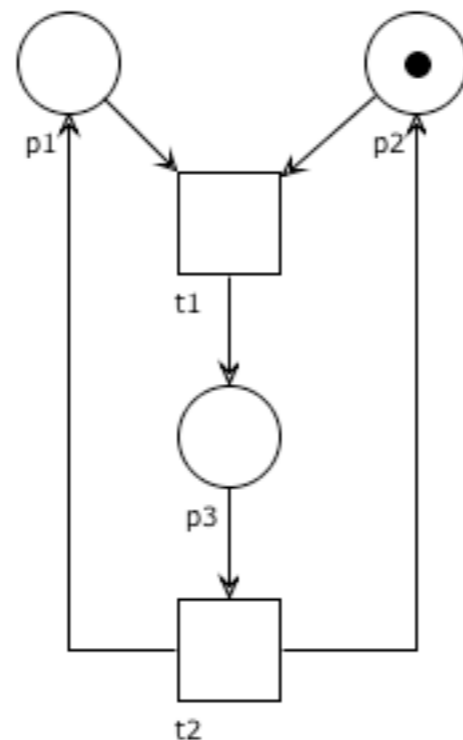
$$\mathbf{I} \cdot M_0 = 0$$

Then we can conclude that the system **is not live**

Example

the system is not live

It is immediate to check the counter-example



$$I = [1 \ 0 \ 1]$$

$$[1 \ 0 \ 1] \begin{bmatrix} 0 \\ 1 \\ 0 \end{bmatrix} = 0$$

I M₀

Markings that agree on all S -invariant

Definition: M and M' **agree on all S -invariants** if for every S -invariant I we have $I \cdot M = I \cdot M'$

Note: by properties of linear algebra, this corresponds to require that the equation on y
 $M + N \cdot y = M'$ has some rational-valued solution

Remark: In general, there can exist M and M' that agree on all S -invariants but such that none of them is reachable from the other

A necessary condition for reachability

Reachability is decidable, but computationally expensive
(EXPSPACE-hard)

S-invariants provide a preliminary check that can be
computed efficiently

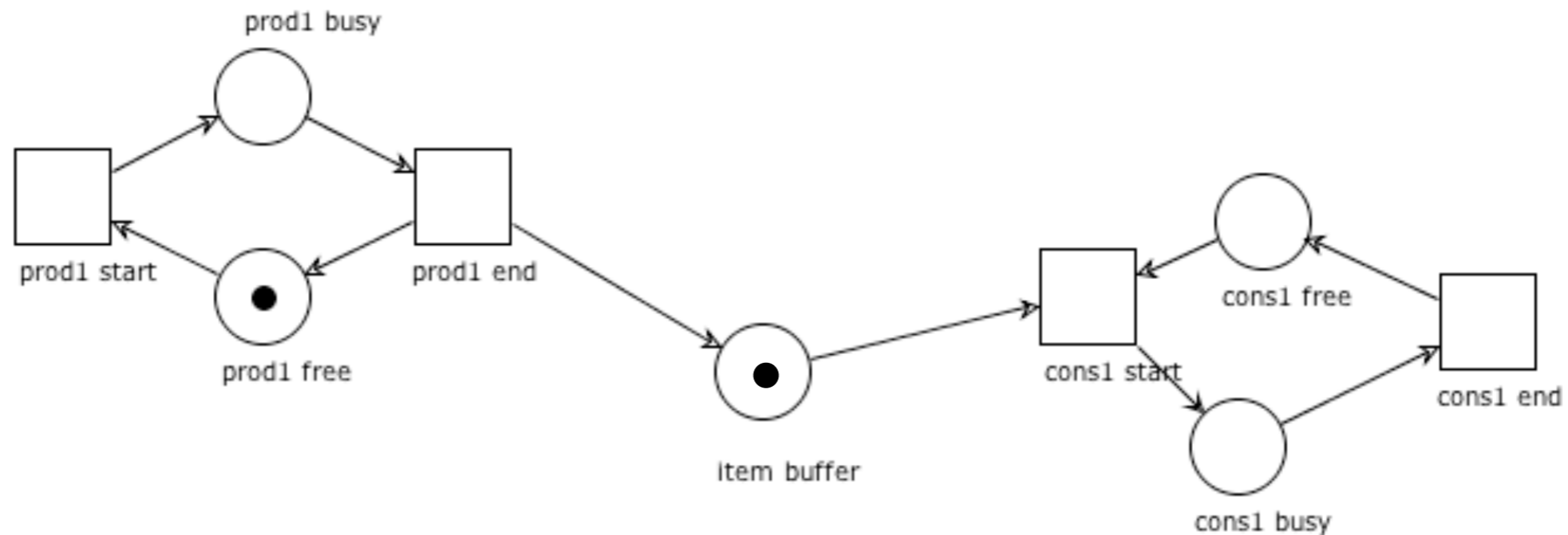
Let (P, T, F, M_0) be a system.

If there is an S-invariant \mathbf{I} s.t. $\mathbf{I} \cdot M \neq \mathbf{I} \cdot M_0$ then $M \notin [M_0 \rangle$

If the equation $\mathbf{N} \cdot \mathbf{y} = M - M_0$ has no rational-valued solution, then $M \notin [M_0 \rangle$

Example

Prove that the marking
 $M = \text{prod1free} + \text{cons1busy}$
is not reachable



$$I = [0 \ 0 \ 0 \ 1 \ 1]$$
$$I \cdot M_0 = 0 \neq 1 = I \cdot M$$

S-invariants: recap

Positive S-invariant \Rightarrow boundedness
Unboundedness \Rightarrow no positive S-invariant

Semi-positive S-invariant I and liveness $\Rightarrow I \cdot M_0 > 0$
Semi-positive S-invariant I and $I \cdot M_0 = 0 \Rightarrow$ non-live

S-invariant I and M reachable $\Rightarrow I \cdot M = I \cdot M_0$
S-invariant I and $I \cdot M \neq I \cdot M_0 \Rightarrow M$ not reachable

S-invariants: pay attention to implication

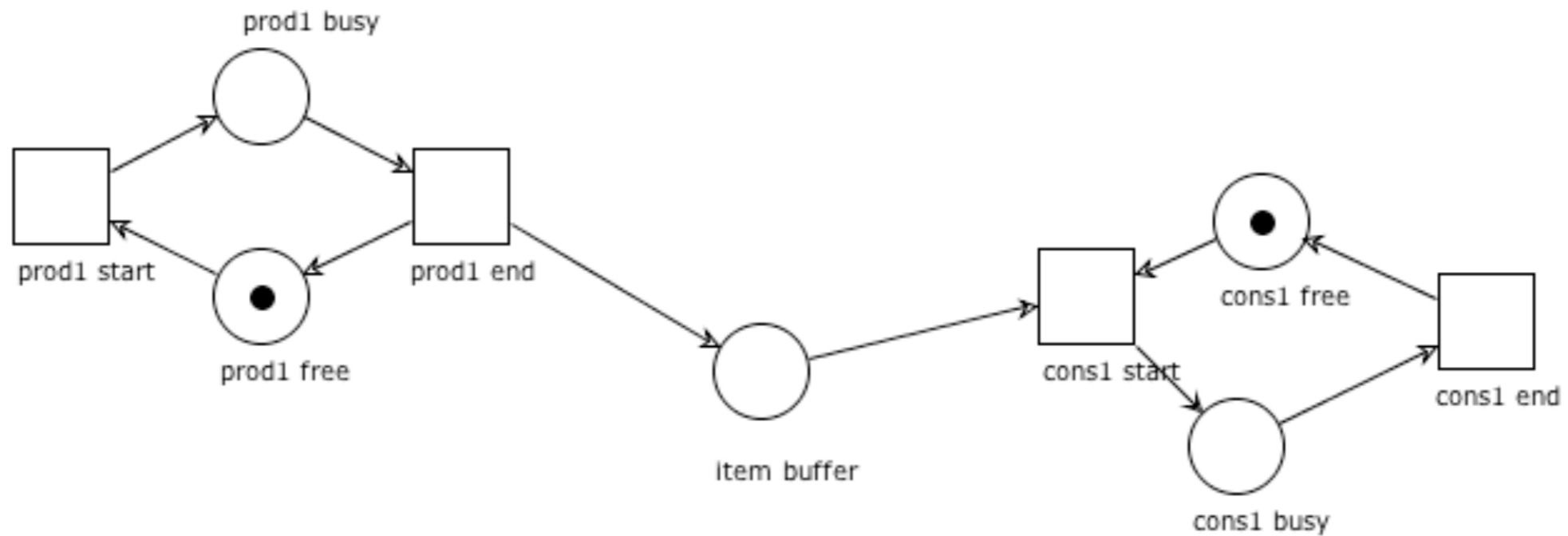
No positive S-invariant \Rightarrow **maybe** unbounded

Semi-positive S-invariant I and $I \cdot M_0 > 0 \Rightarrow$ **maybe** live

S-invariant I and $I \cdot M = I \cdot M_0 \Rightarrow$ **maybe** M reachable

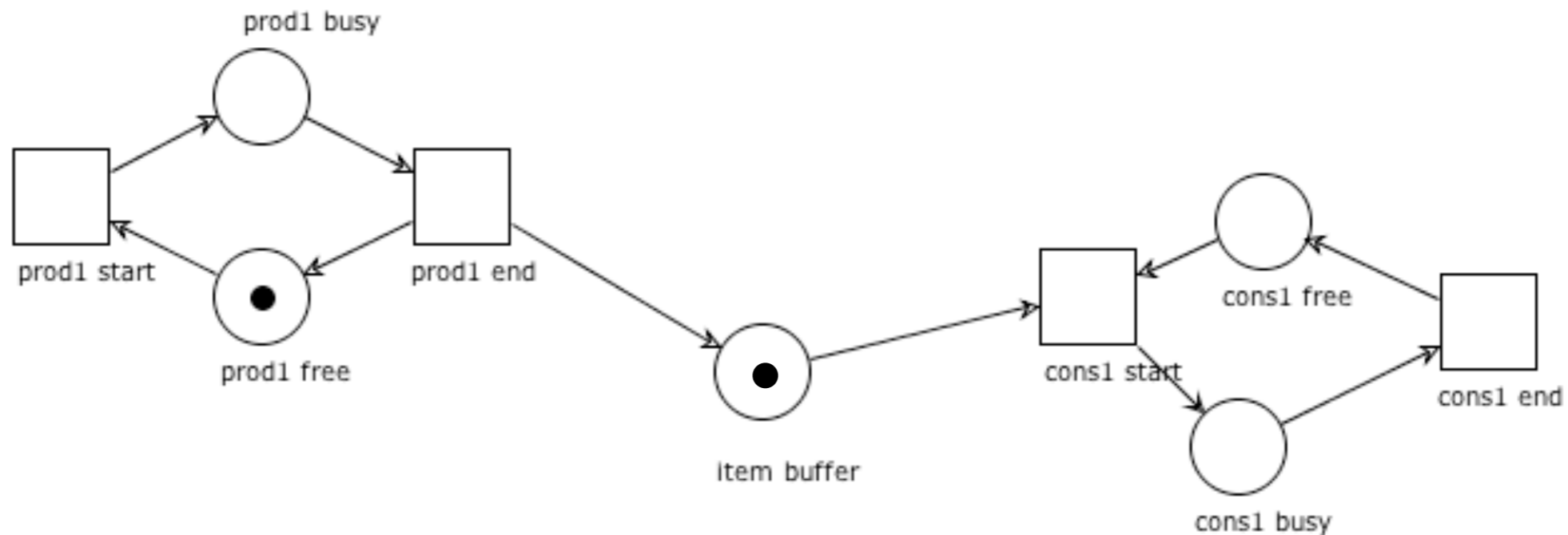
Exercises

Can you find a positive S-invariant?



Exercises

Prove that the system is not live by exhibiting a suitable S-invariant



T-invariants

Dual reasoning

The S-invariants of a net N are vectors satisfying the equation

$$\mathbf{x} \cdot \mathbf{N} = \mathbf{0}$$

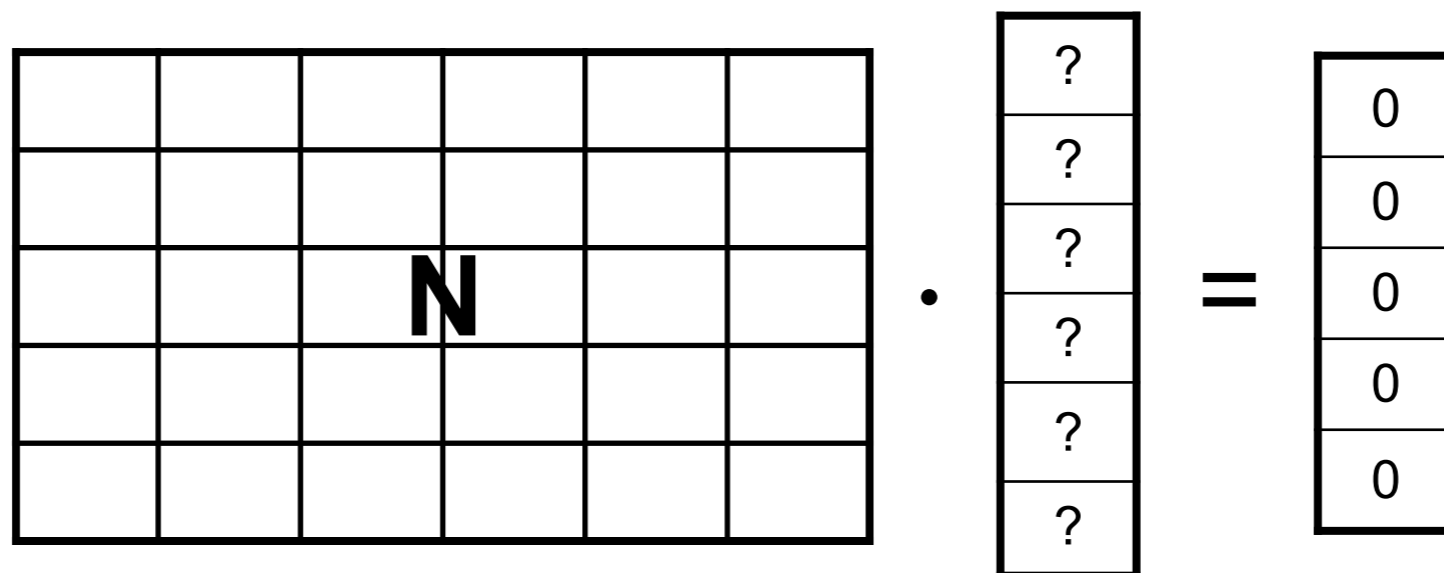
It seems natural to ask if we can find some interesting properties also for the vectors satisfying the equation

$$\mathbf{N} \cdot \mathbf{y} = \mathbf{0}$$

T-invariant (aka transition-invariant)

Definition: A **T-invariant** of a net $N=(P,T,F)$ is a rational-valued solution y of the equation

$$N \cdot y = 0$$



Fundamental property of T-invariants

Proposition: Let $M \xrightarrow{\sigma} M'$.

The Parikh vector $\vec{\sigma}$ is a T-invariant iff $M' = M$

\Rightarrow) By the marking equation lemma $M' = M + \mathbf{N} \cdot \vec{\sigma}$
Since $\vec{\sigma}$ is a T-invariant $\mathbf{N} \cdot \vec{\sigma} = \mathbf{0}$, thus $M' = M$.

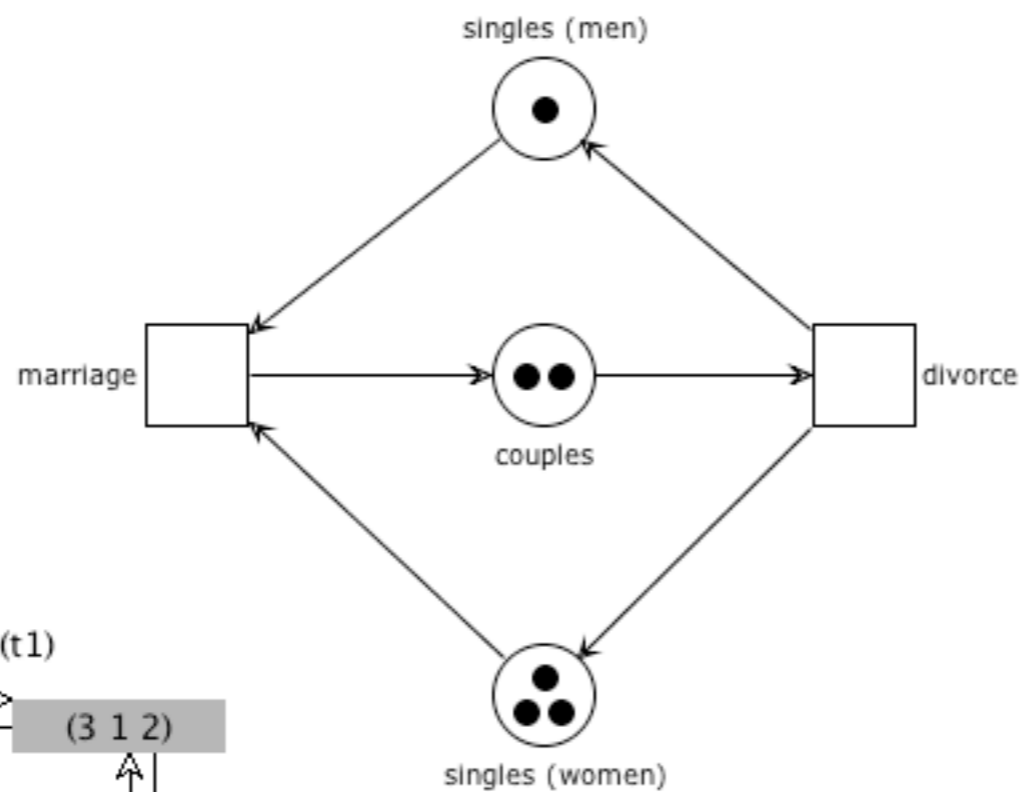
\Leftarrow) If $M \xrightarrow{\sigma} M$, by the marking equation lemma $M = M + \mathbf{N} \cdot \vec{\sigma}$
Thus $\mathbf{N} \cdot \vec{\sigma} = M - M = \mathbf{0}$ and $\vec{\sigma}$ is a T-invariant

Transition-invariant, intuitively

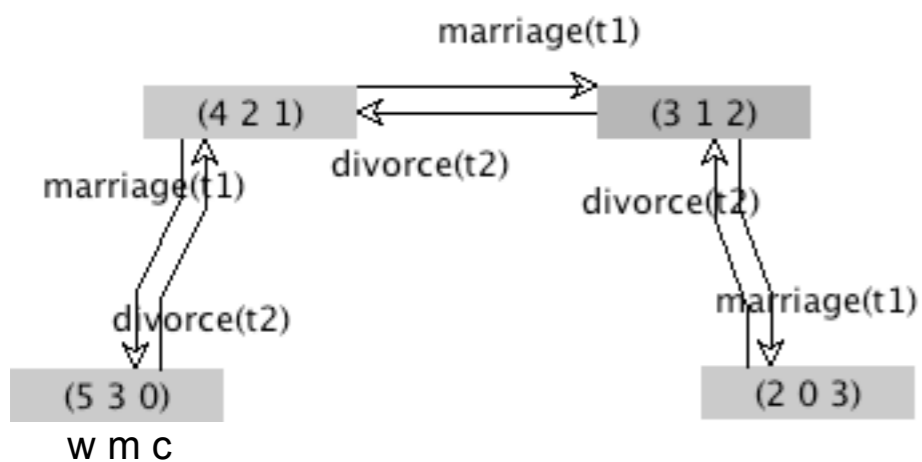
A transition-invariant assigns a **number of occurrences to each transition** such that any occurrence sequence comprising exactly those transitions leads to the same marking where it started (independently from the order of execution)

Example

An easy-to-be-found T-invariant



$$\begin{matrix} m & d \\ [& 1 & 1] \end{matrix}$$



Alternative definition of T-invariant

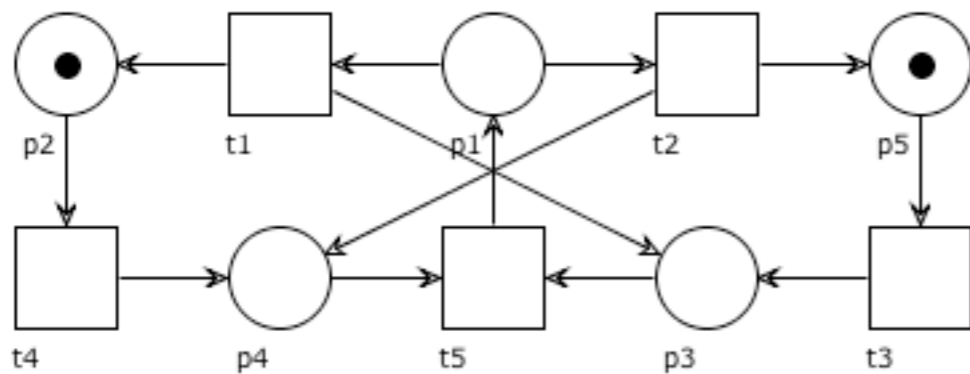
Proposition:

A mapping $\mathbf{J} : T \rightarrow \mathbb{Q}$ is a T-invariant of N iff for any $p \in P$:

$$\sum_{t \in \bullet p} \mathbf{J}(t) = \sum_{t \in p \bullet} \mathbf{J}(t)$$

Question time

Which of the following are T-invariants?

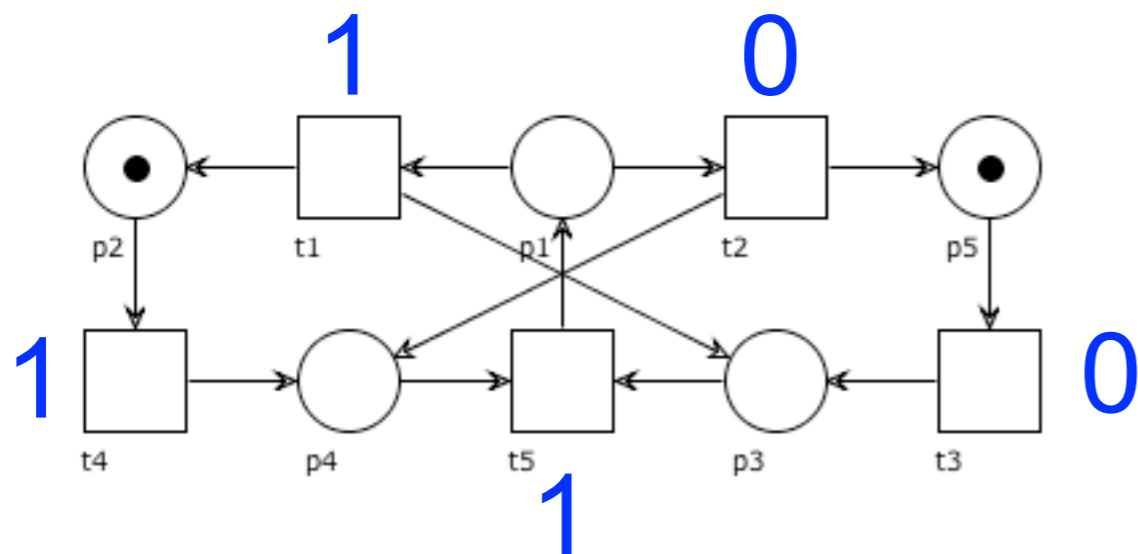


t_1	t_2	t_3	t_4	t_5
$[1$	0	0	1	$1]$
$[1$	1	2	1	$2]$
$[1$	1	1	0	$2]$
$[1$	1	1	1	$2]$
$[0$	1	1	0	$1]$

$$\forall p \in P, \sum_{t \in \bullet p} \mathbf{J}(t) \stackrel{?}{=} \sum_{t \in p \bullet} \mathbf{J}(t)$$

Question time

Which of the following are T-invariants?

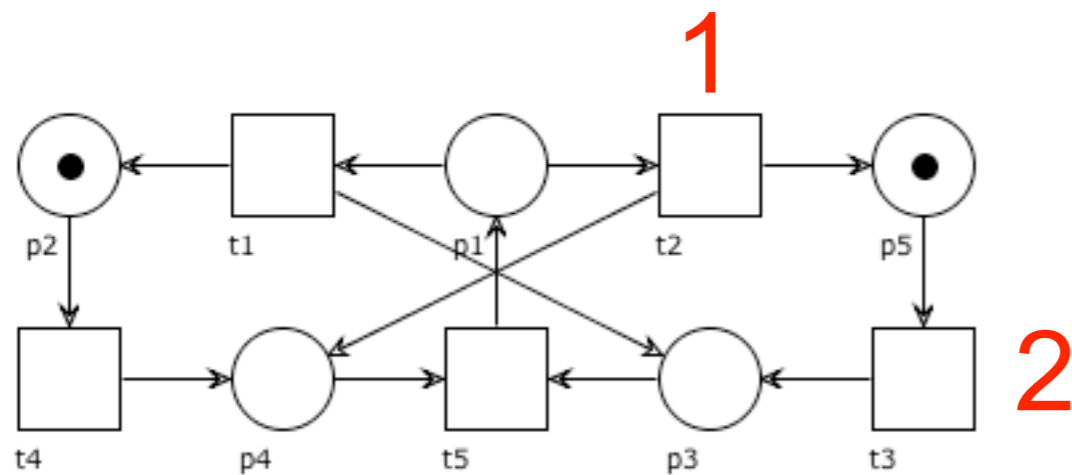


t ₁	t ₂	t ₃	t ₄	t ₅
1	0	0	1	1
1	1	2	1	2
1	1	1	0	2
1	1	1	1	2
0	1	1	0	1

$$\forall p \in P, \sum_{t \in \bullet p} \mathbf{J}(t) \stackrel{?}{=} \sum_{t \in p \bullet} \mathbf{J}(t)$$

Question time

Which of the following are T-invariants?

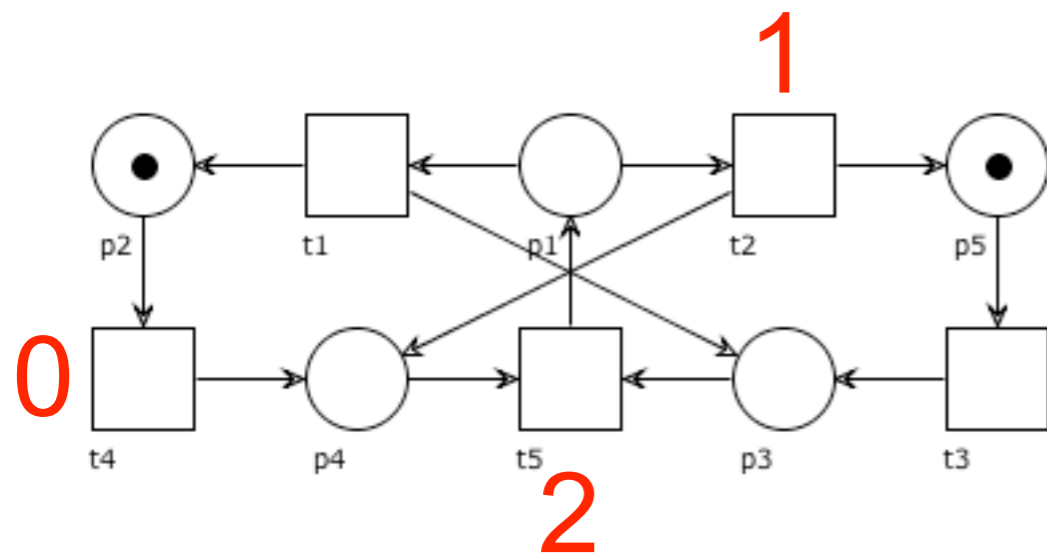


t ₁	t ₂	t ₃	t ₄	t ₅
[1	0	0	1	1]
[1	1	2	1	2]
[1	1	1	0	2]
[1	1	1	1	2]
[0	1	1	0	1]

$$\forall p \in P, \sum_{t \in \bullet p} \mathbf{J}(t) \stackrel{?}{=} \sum_{t \in p \bullet} \mathbf{J}(t)$$

Question time

Which of the following are T-invariants?

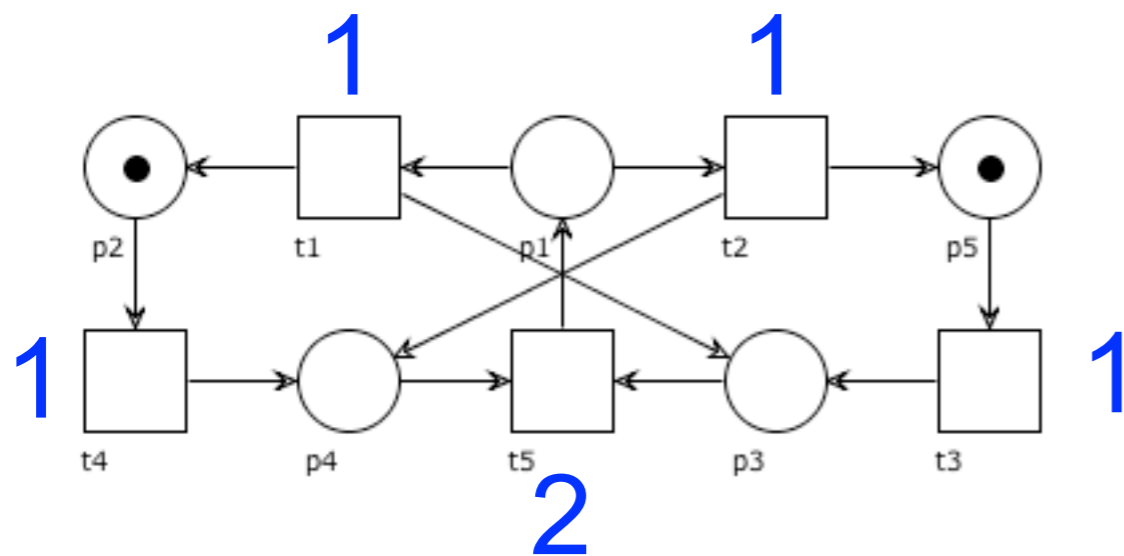


t ₁	t ₂	t ₃	t ₄	t ₅
[1	0	0	1	1]
[1	1	2	1	2]
[1	1	1	0	2]
[1	1	1	1	2]
[0	1	1	0	1]

$$\forall p \in P, \sum_{t \in \bullet p} \mathbf{J}(t) \stackrel{?}{=} \sum_{t \in p \bullet} \mathbf{J}(t)$$

Question time

Which of the following are T-invariants?

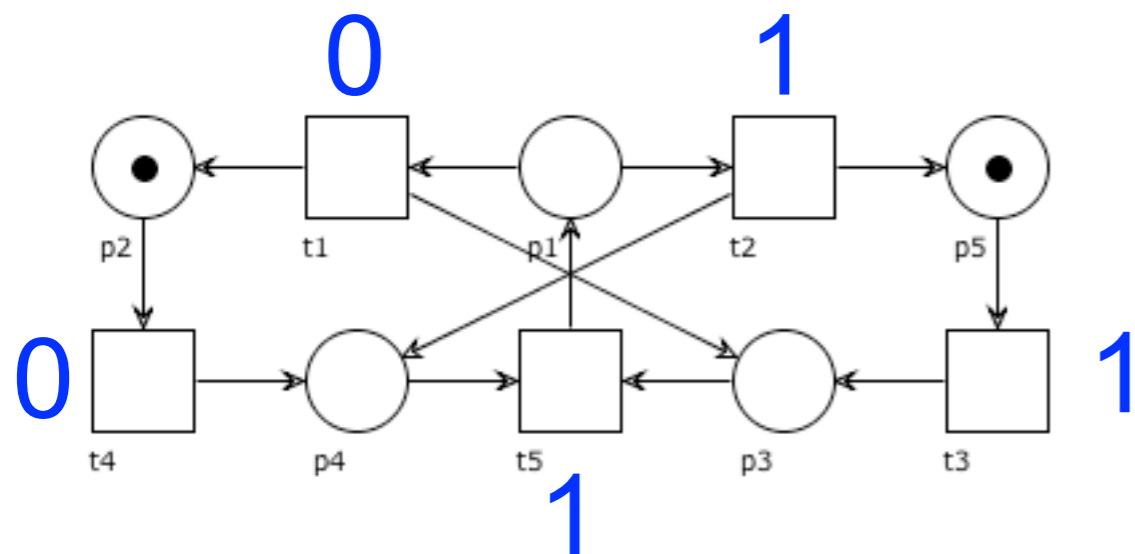


t ₁	t ₂	t ₃	t ₄	t ₅
[1	0	0	1	1]
[1	1	2	1	2]
[1	1	1	0	2]
[1	1	1	1	2]
[0	1	1	0	1]

$$\forall p \in P, \sum_{t \in \bullet p} \mathbf{J}(t) \stackrel{?}{=} \sum_{t \in p \bullet} \mathbf{J}(t)$$

Question time

Which of the following are T-invariants?



	t ₁	t ₂	t ₃	t ₄	t ₅
	1	0	0	1	1
	1	1	2	1	2
	1	1	1	0	2
	1	1	1	1	2
	0	1	1	0	1

$$\forall p \in P, \sum_{t \in \bullet p} \mathbf{J}(t) \stackrel{?}{=} \sum_{t \in p \bullet} \mathbf{J}(t)$$

T-invariants and system properties

Pigeonhole principle

If n items are put into m slots, with $n > m$, then at least one slot must contain more than one item



Reproduction lemma

Lemma: Let (P, T, F, M_0) be a bounded system.

If $M_0 \xrightarrow{\sigma}$ for some infinite sequence σ , then

there is a semi-positive T-invariant \mathbf{J} such that $\langle \mathbf{J} \rangle \subseteq \{t \mid t \in \sigma\}$.

Assume $\sigma = t_1 t_2 t_3 \dots$ and $M_0 \xrightarrow{t_1} M_1 \xrightarrow{t_2} M_2 \xrightarrow{t_3} \dots$

By boundedness: $[M_0]$ is finite.

By the pigeonhole principle, there are $0 \leq i < j$ s.t. $M_i = M_j$

Let $\sigma' = t_{i+1} \dots t_j$. Then $M_i \xrightarrow{\sigma'} M_j = M_i$

By the marking equation lemma: $\vec{\sigma}'$ is a T-invariant. (fund. prop. of T-inv.)

It is semi-positive, because σ' is not empty ($i < j$).

Clearly, $\langle \mathbf{J} \rangle$ only includes transitions in σ .

Boundedness, liveness and positive T-invariant

Theorem: If a bounded system is live,
then it has a positive T-invariant

By boundedness: $[M_0 \rangle$ is finite and we let $k = |[M_0 \rangle|$.

By liveness: $M_0 \xrightarrow{\sigma_1} M_1$ with $\vec{\sigma}_1(t) > 0$ for any $t \in T$

Similarly: $M_1 \xrightarrow{\sigma_2} M_2$ with $\vec{\sigma}_2(t) > 0$ for any $t \in T$

Similarly: $M_0 \xrightarrow{\sigma_1} M_1 \xrightarrow{\sigma_2} M_2 \dots \xrightarrow{\sigma_k} M_k$

By the pigeonhole principle, there are $0 \leq i < j \leq k$ s.t. $M_i = M_j$

Let $\sigma = \sigma_{i+1} \dots \sigma_j$. Then $M_i \xrightarrow{\sigma} M_j = M_i$

By the marking equation lemma: $\vec{\sigma}$ is a T-invariant. (fund. prop. of T-inv.)

It is positive, because $\vec{\sigma}(t) \geq \vec{\sigma}_j(t) > 0$ for any $t \in T$.

Corollary of previous theorem

Every live and bounded system has:

a reachable marking M and

an occurrence sequence $M \xrightarrow{\sigma} M$

such that all transitions of N occur in σ .

T-invariants: recap

Boundedness + liveness \Rightarrow positive T-invariant

No positive T-invariant \Rightarrow non (live + bounded)

No positive T-invariant \Rightarrow non-live OR unbounded

No positive T-invariant + liveness \Rightarrow unbounded

No positive T-invariant + boundedness \Rightarrow non-live

No positive T-inv. + positive S-inv. \Rightarrow non-live

T-invariants: pay attention to implication

No positive T-invariant

=> **maybe** non live

Exercises

Exhibit a system that has a positive T-invariant
but is not
live and bounded

Exhibit a live system that has a positive T-invariant
but is not bounded